

The background of the page is black. On the left side, there are several abstract, overlapping geometric shapes in a dark gray color. These shapes include a crescent moon at the top, a horizontal bar with a pointed right end, another horizontal bar with a pointed right end below it, a large circle, and a curved shape at the bottom. The text is positioned to the right of these shapes.

GENERAL PRODUCT INSTALLATION GUIDE

Drivers - Ceiling Void Depth	3
Trimless Fittings	5
Adjustable Fittings	7
Occular Fittings (Screw Plate)	9
Orba Fittings (Surface Plate)	11
Midi Pano Adjustable In-ground	15
Nano Pano Adjustable In-ground	18
DecoTrack - Standard	23
DecoTrack Driver	25
DecoTrack Flush Driver	27
DecoTrack - Mini	29
DecoTrack - Mini Driver	34
DecoLine Surface	36
Decoline Recessed	40
DecoLine Trimless	42
Wiring Diagrams	44

Driver - Ceiling Void Depth

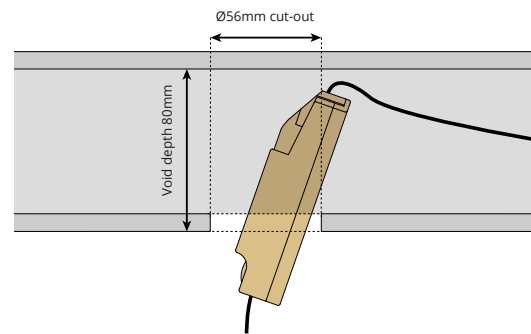
TRIMMED FITTINGS - MAINS DIM DRIVERS

Drivers: INF 350mA / 700mA / 1050mA

Void Depth: 80mm

Cut-out: Ø56mm

*Please refer to product datasheet for void depth requirements of light fitting



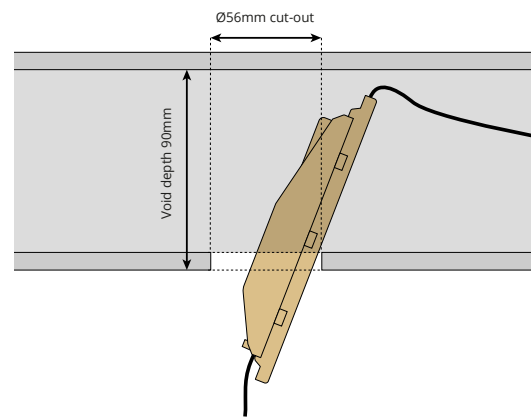
TRIMMED FITTINGS - DALI / O-IOV DRIVERS

Drivers: Eldoled DALI / O-IOV

Void Depth: 90mm

Cut-out: Ø56mm

*Please refer to product datasheet for void depth requirements of light fitting



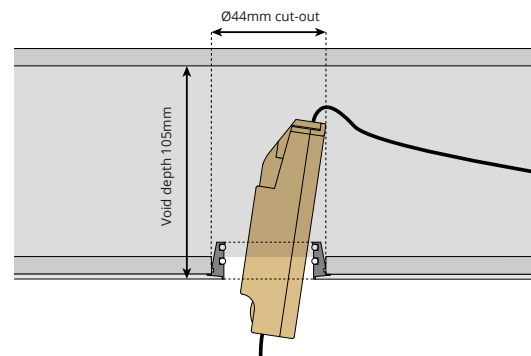
TRIMLESS FITTINGS - MAINS DIM DRIVER

Drivers: INF 350mA / 700mA / 1050mA

Void Depth: 105mm

Aperture: Ø44mm

*Please refer to product datasheet for void depth requirements of light fitting



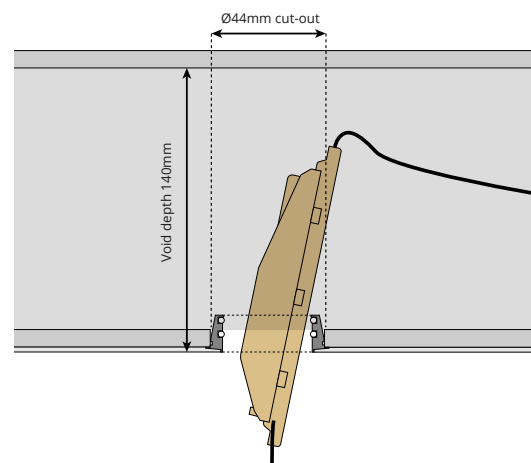
TRIMLESS FITTINGS - DALI / O-IOV DRIVERS

Drivers: Eldoled DALI / O-IOV

Void Depth: 140mm

Aperture: Ø44mm

*Please refer to product datasheet for void depth requirements of light fitting



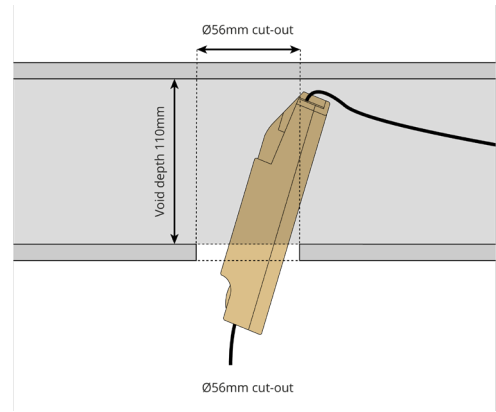
TRIMMED FITTINGS - EMERGENCY DRIVERS

Drivers: Emergency Converter / DALI

Void Depth: 110mm

Cut-out: $\varnothing 56\text{mm}$

*Please refer to product datasheet for void depth requirements of light fitting



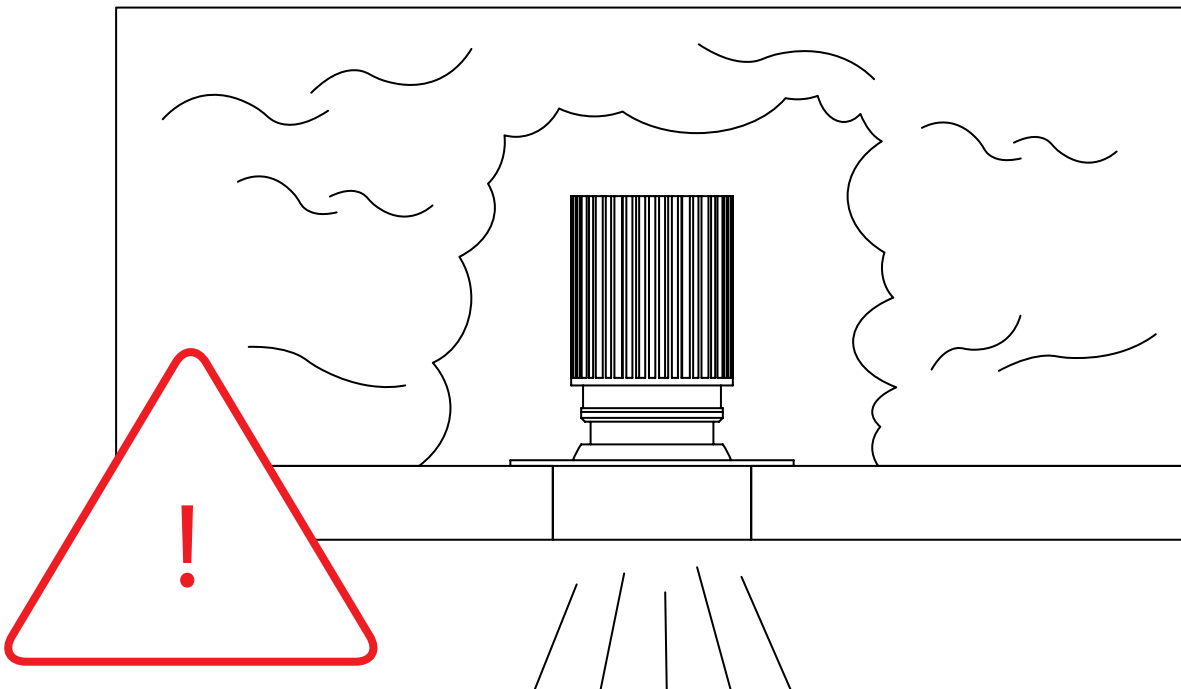
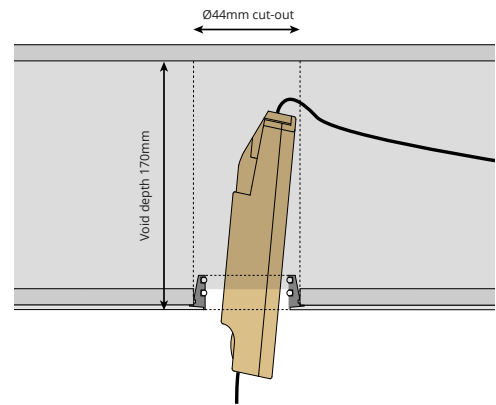
TRIMLESS FITTINGS - EMERGENCY DRIVERS

Drivers: Emergency Converter / DALI

Void Depth: 170mm

Aperture: $\varnothing 44\text{mm}$

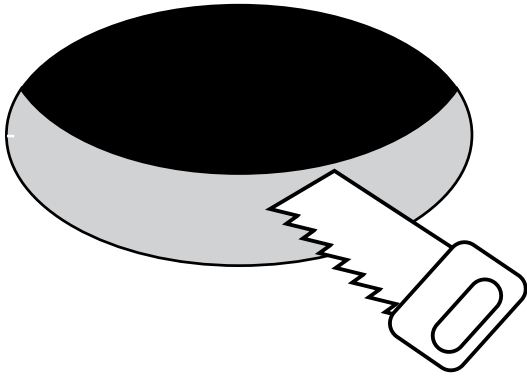
*Please refer to product datasheet for void depth requirements of light fitting



Ensure at least 150mm radius around/ above fitting is clear of insulating material

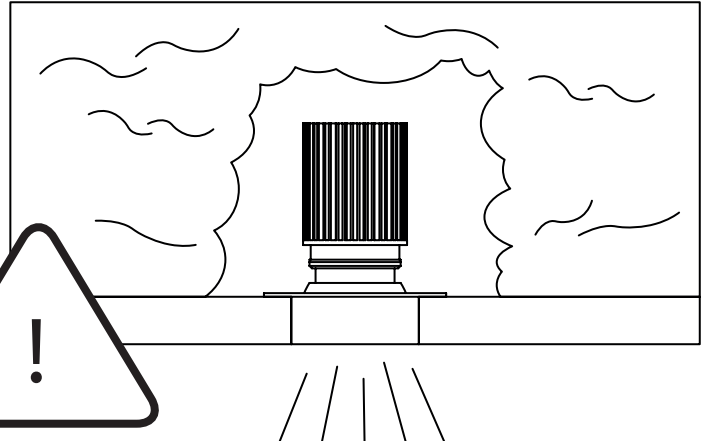
TRIMLESS FITTING INSTALLATION

PRE-INSTALLATION



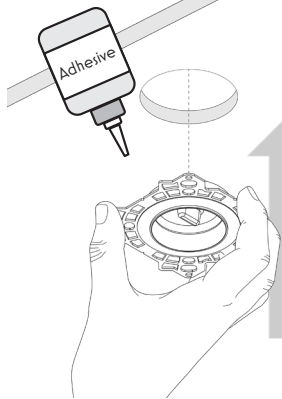
See specific product Installation guides

TUNEABLE WHITE TRIMLESS EYECONIC/ ORBA AND OCCULAR

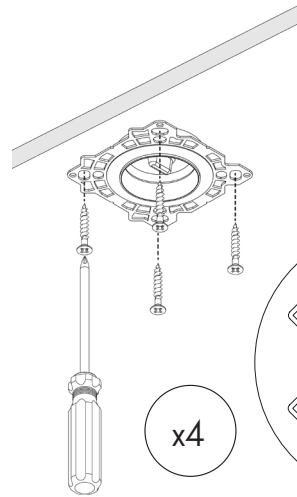


Ensure at least 150mm radius around/ above fitting is clear of insulating material

INSTALLING FRAME



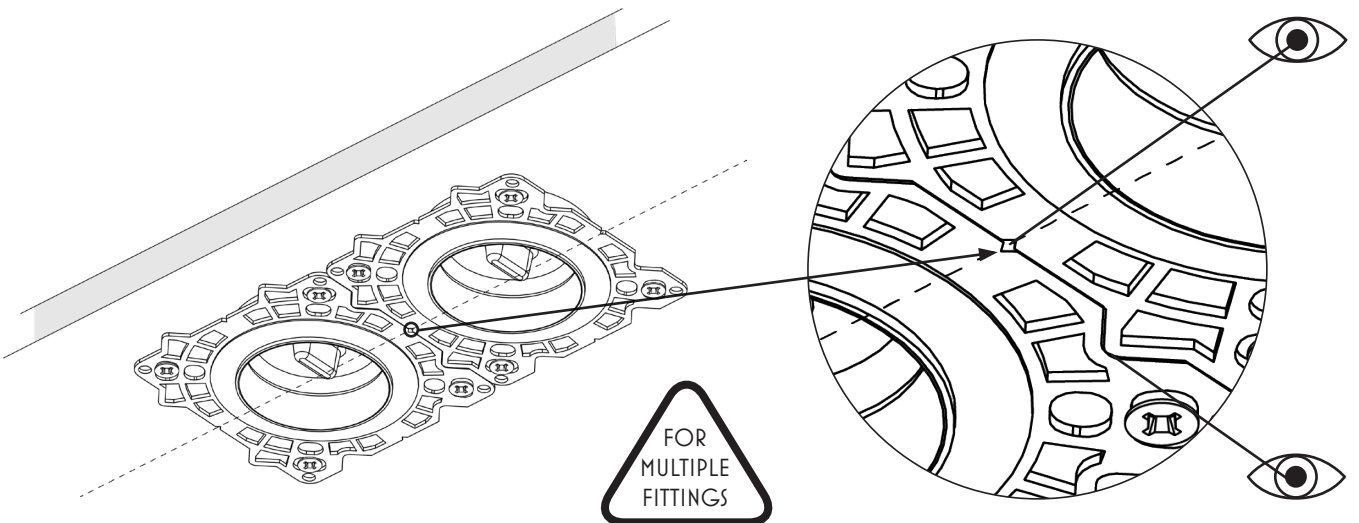
Can use adhesive, we recommend CTI or alike



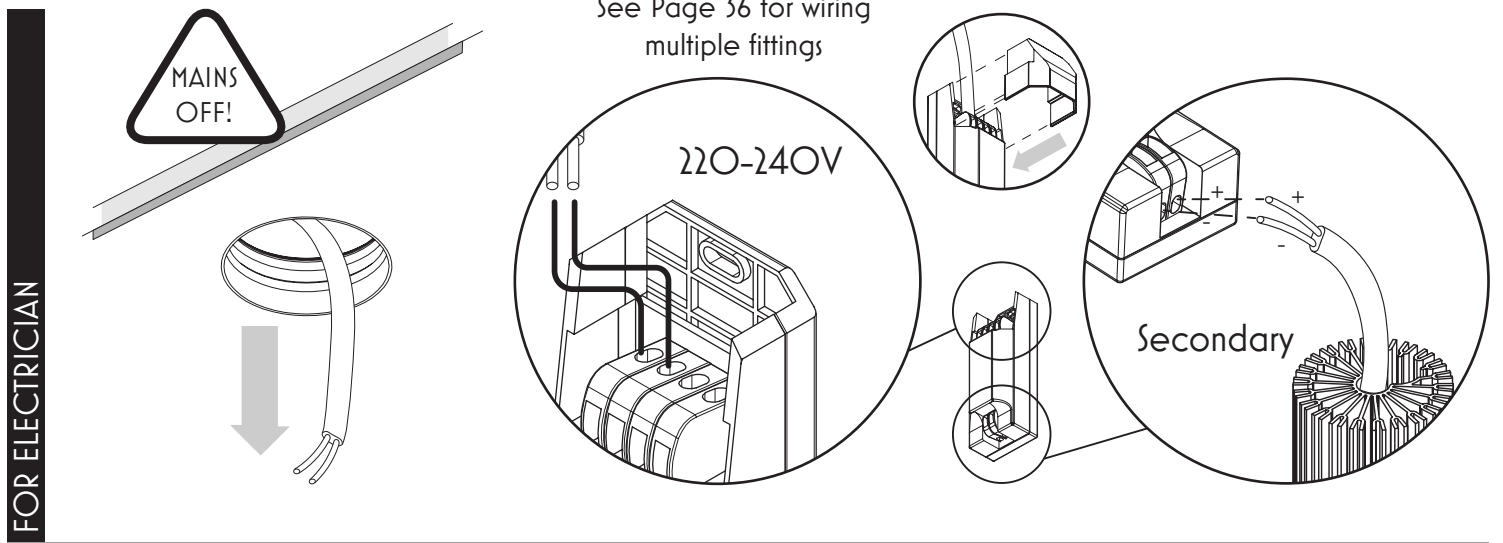
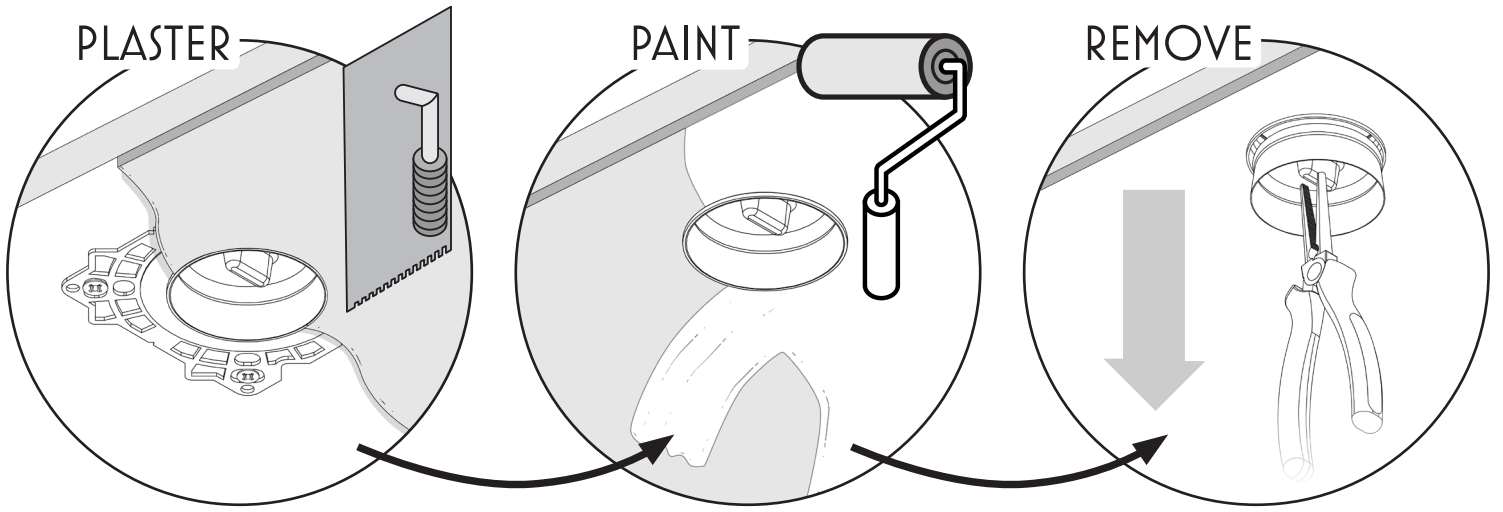
Can use screws (Flathead Drywall Screws or alike) or both adhesive and screws

x4

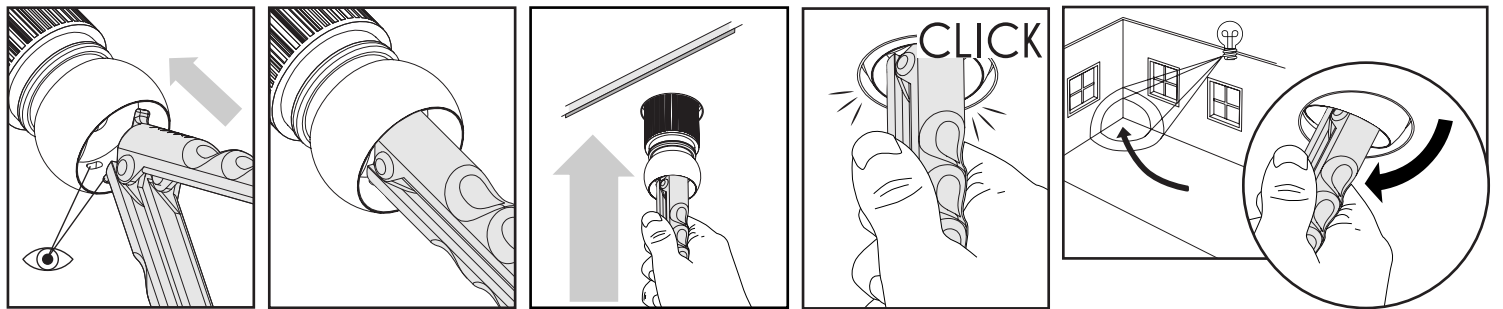
INSTALLING FRAME



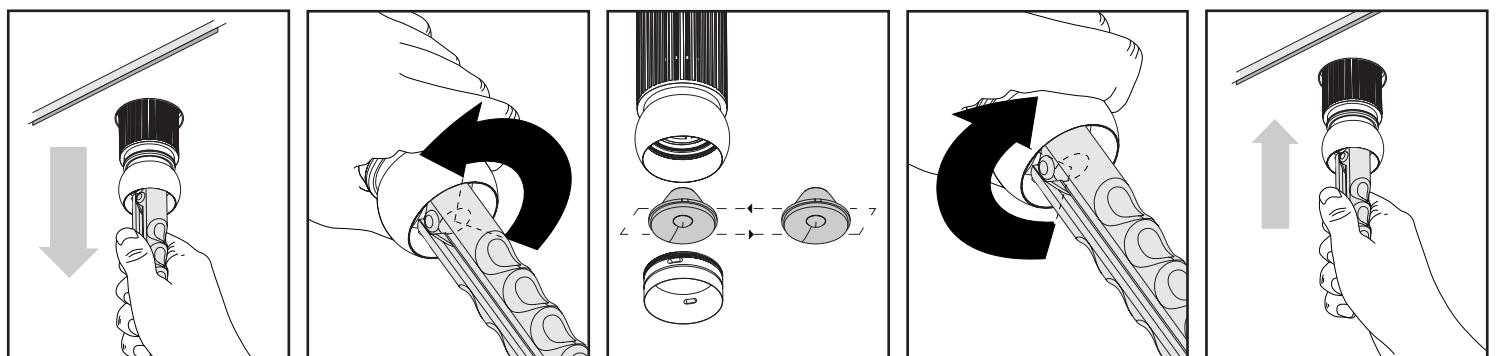
FOR MULTIPLE FITTINGS



Eyeconic insertion and adjustment



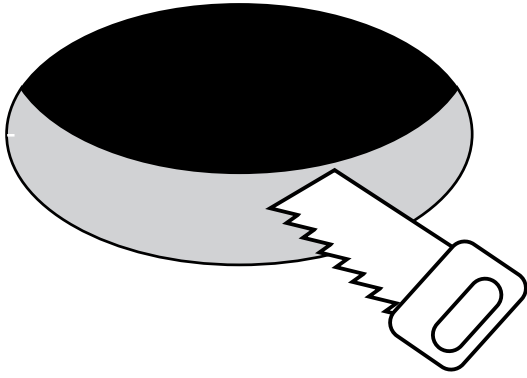
Lens changing



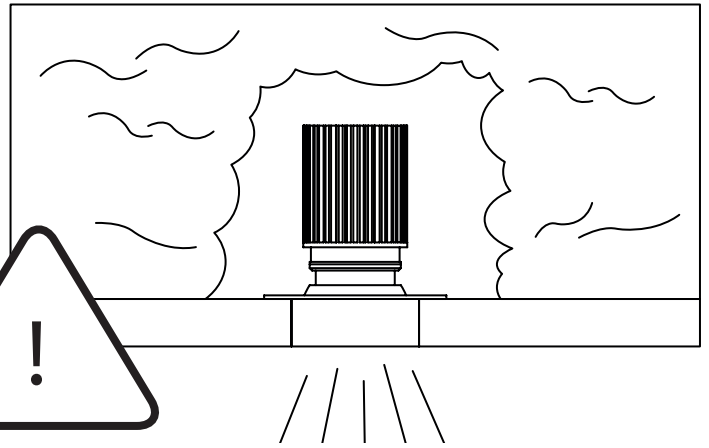
ADJUSTABLE TRIMS FITTING INSTALLATION

Round // Square // Round mini trim // Square mini trim

PRE-INSTALLATION

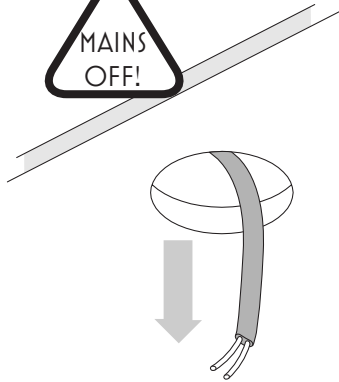


See specific product Installation guides

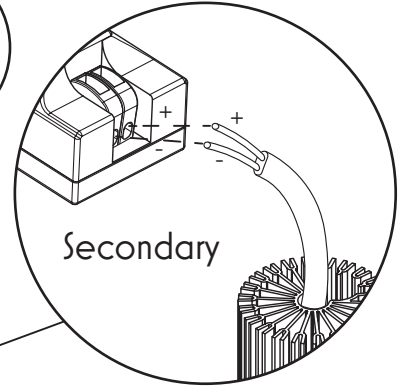
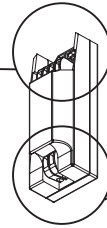
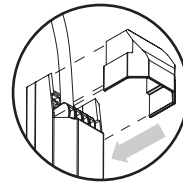
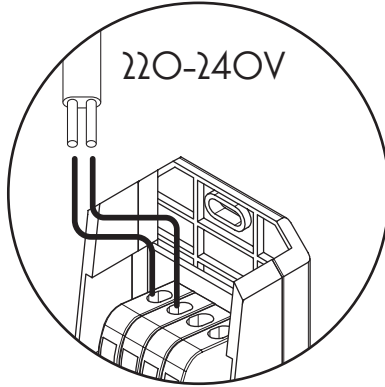


Ensure at least 150mm radius around/ above fitting is clear of insulating material

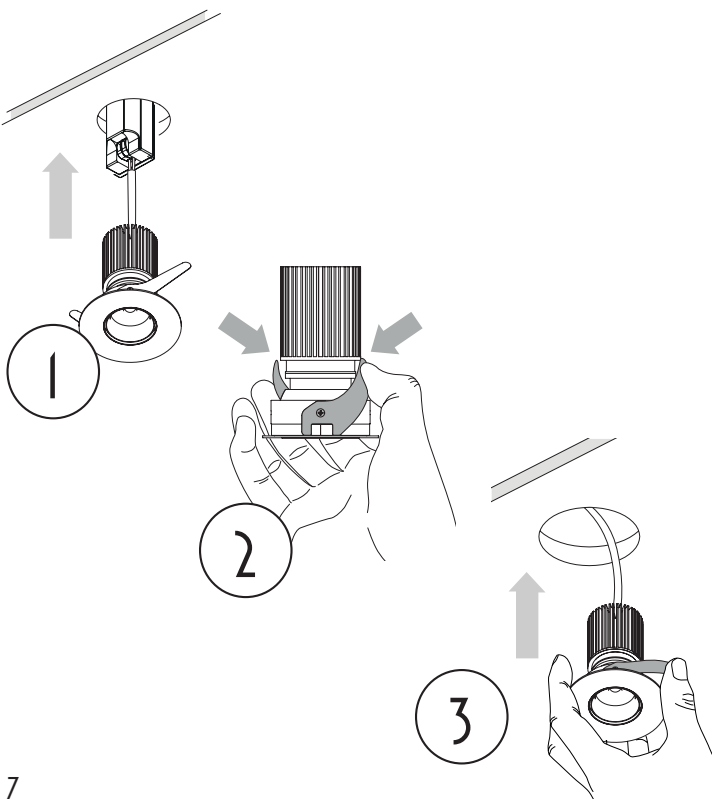
FOR ELECTRICIAN



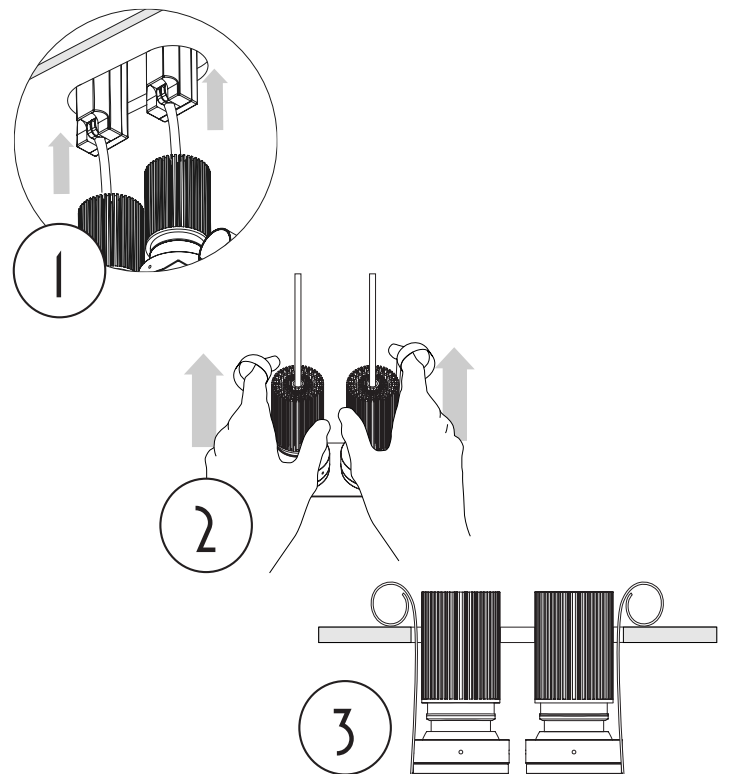
See Page 36 for wiring multiple fittings

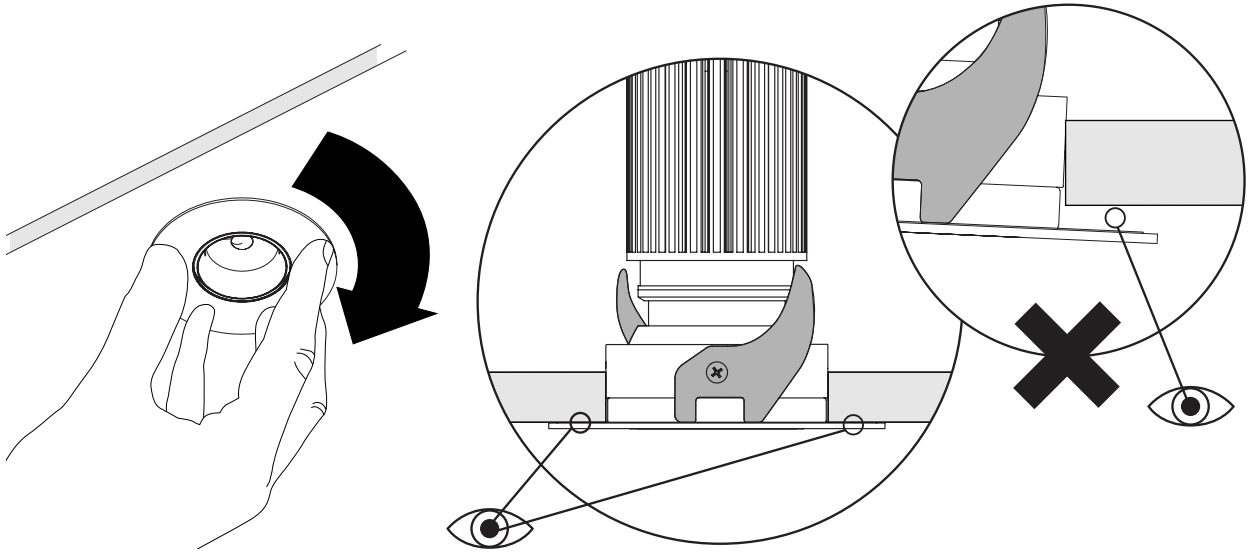


ADJ TRIMS STANDARD SPRING

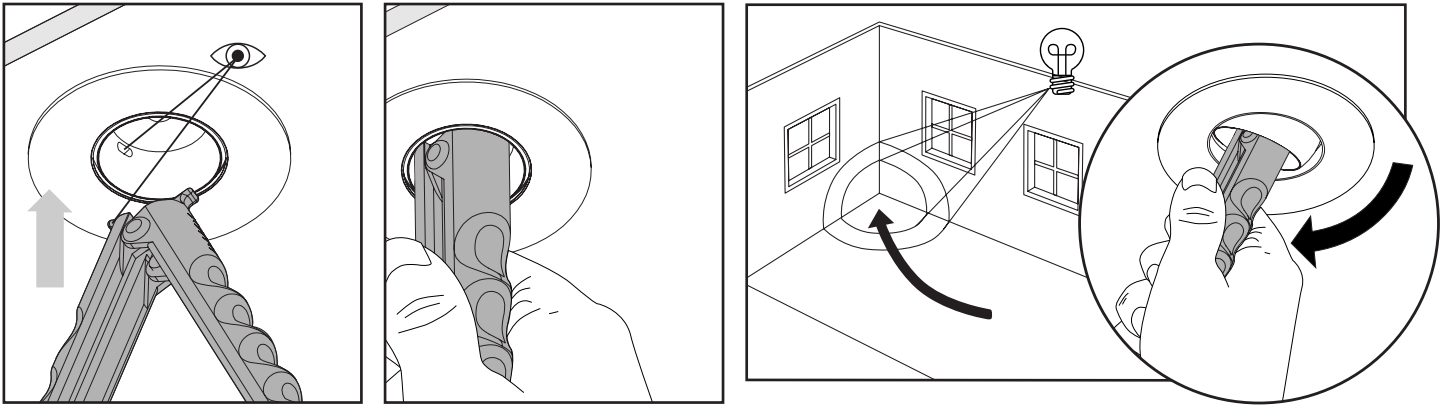


ADJ TRIMS CONSTANT FORCE

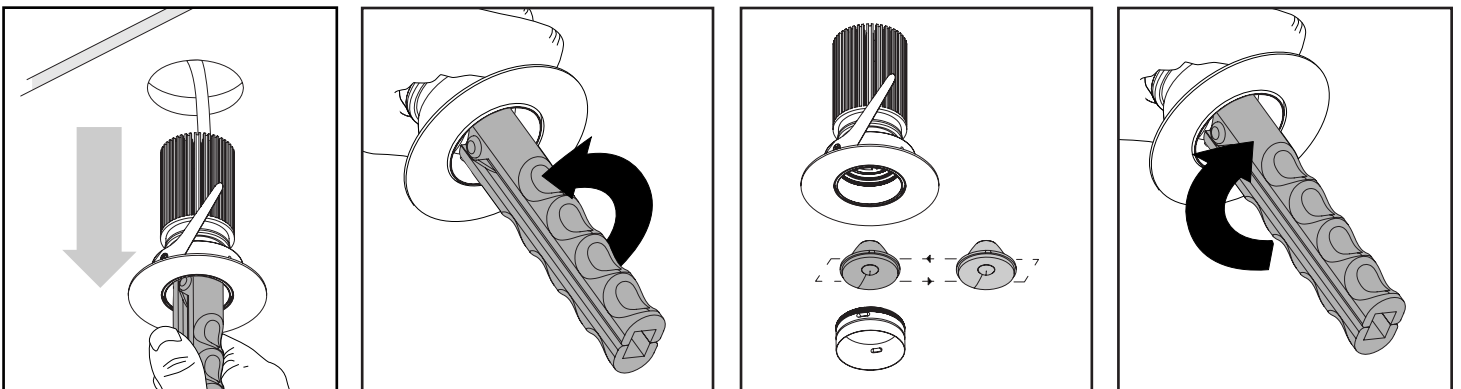




Eyeconic insertion and adjustment

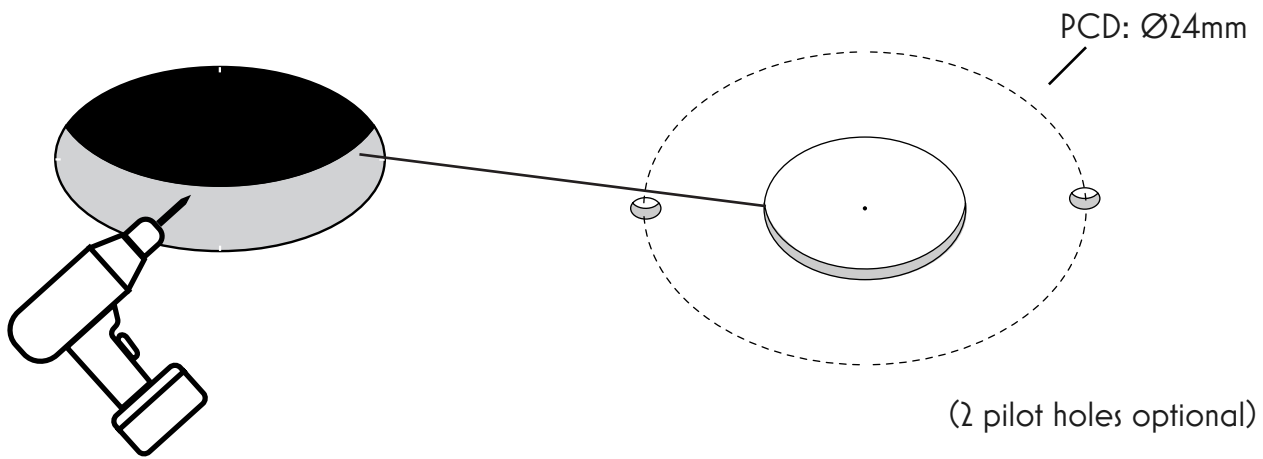


Lens changing

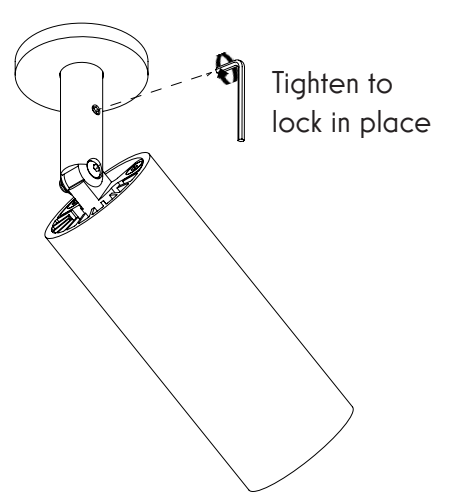
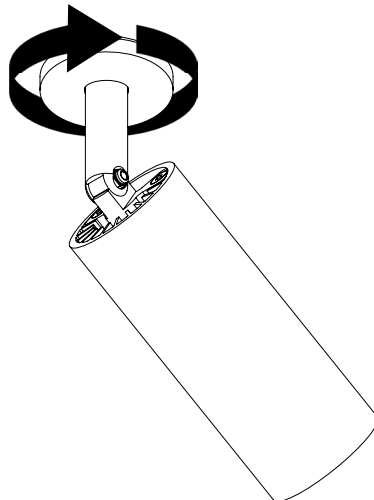
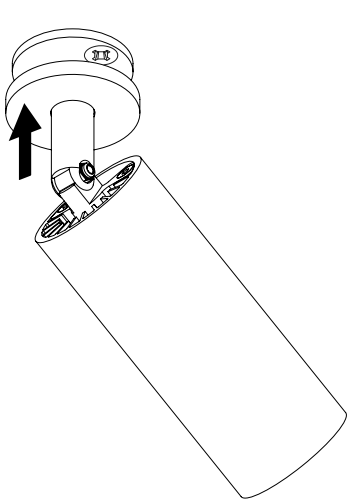
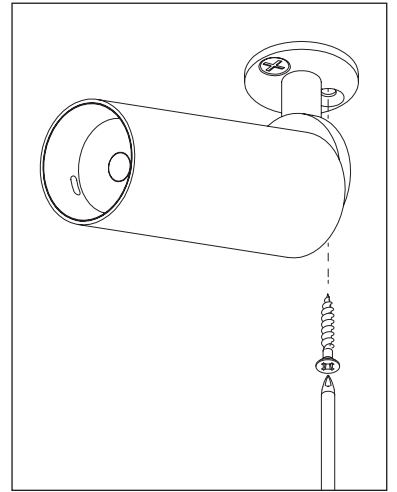
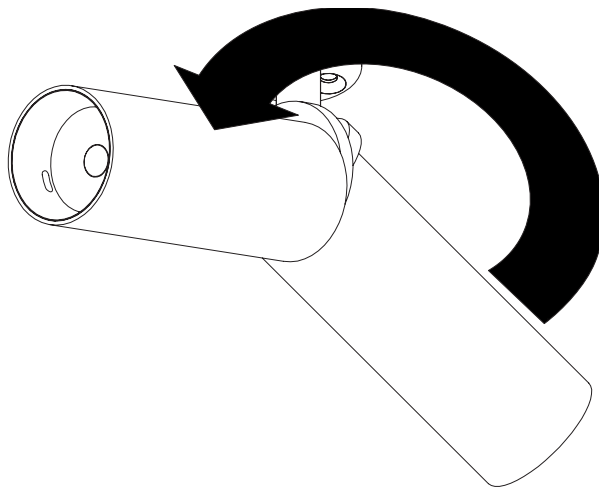
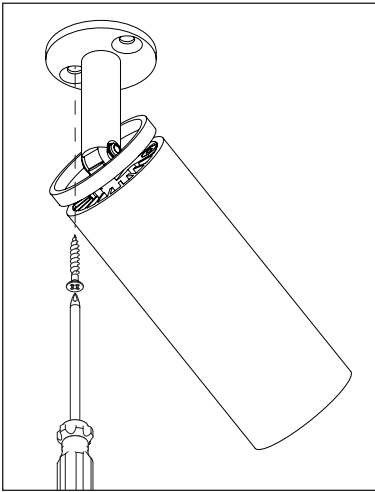


OCCULAR FITTING (MICRO PLATE) INSTALLATION

PRE-INSTALLATION

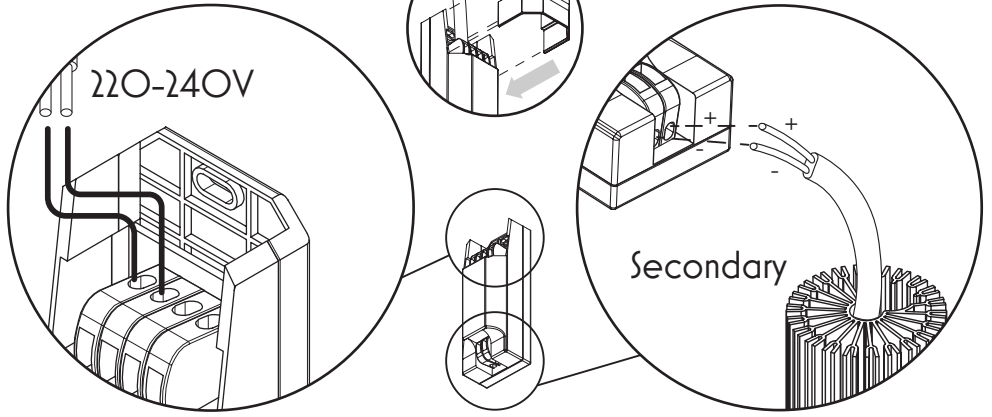


INSTALLING FITTING

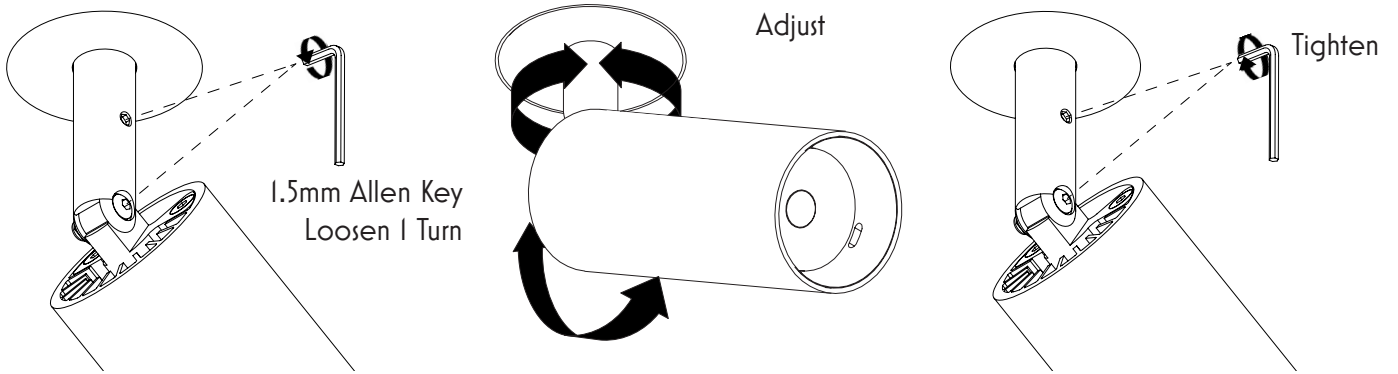




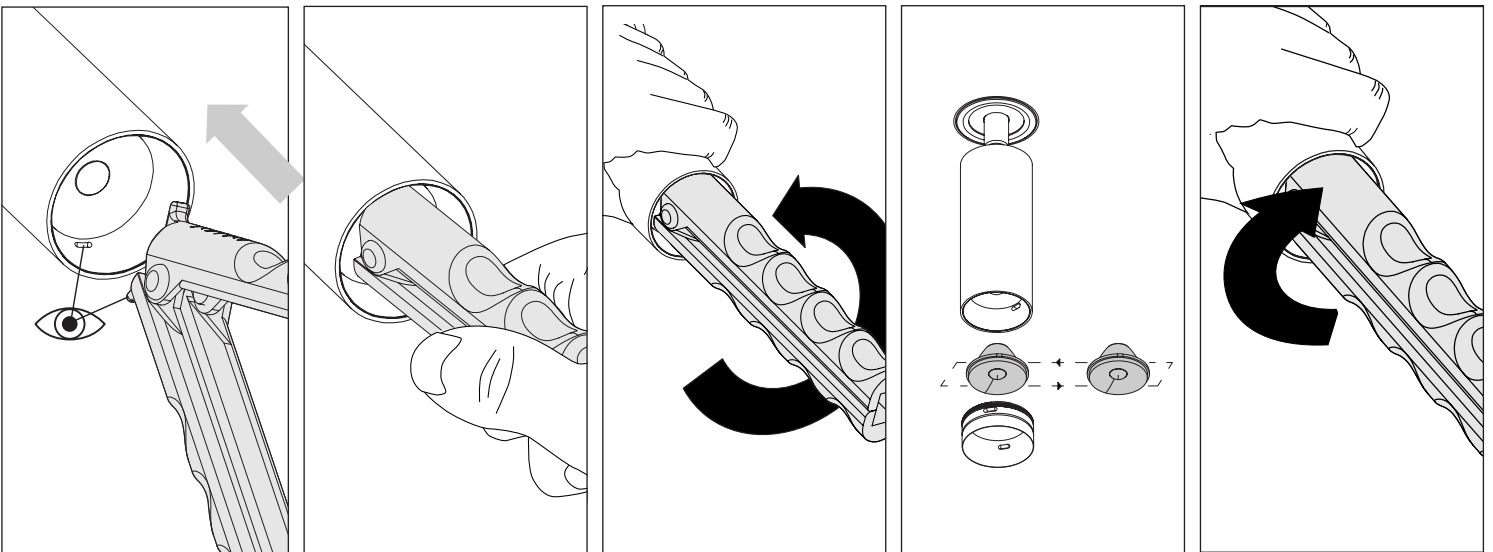
See Page 36 for wiring multiple fittings



Occular Adjustment

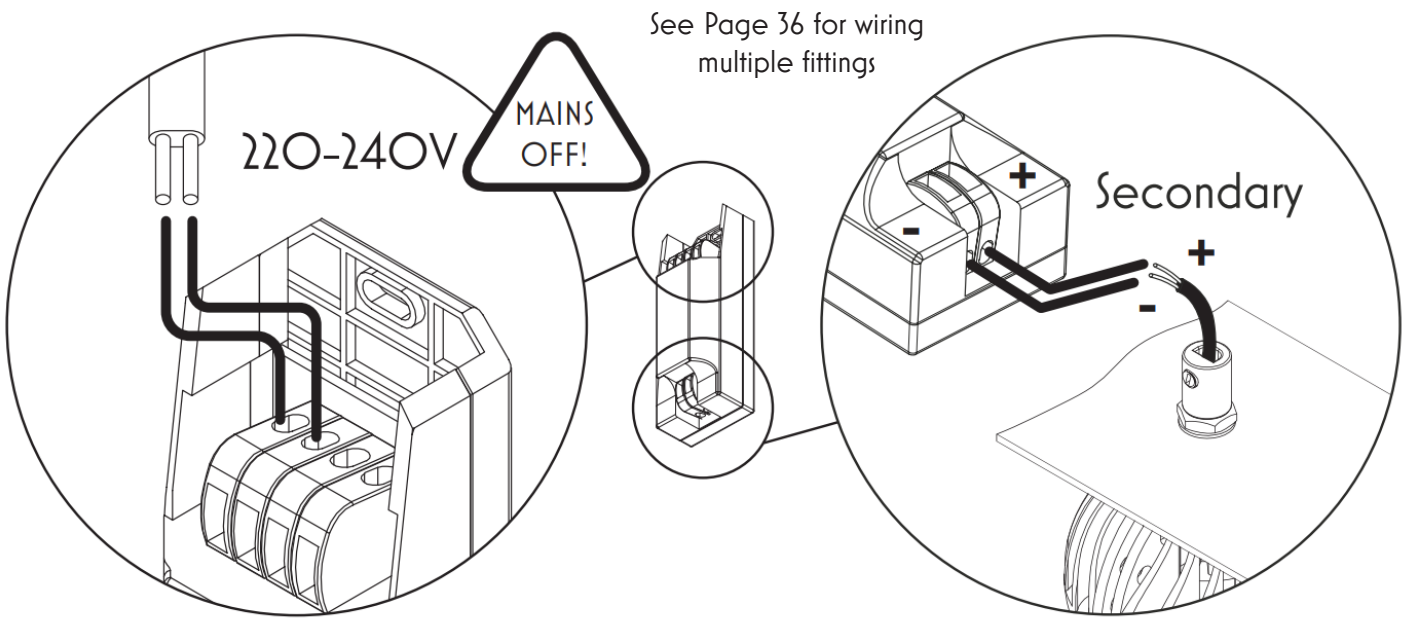
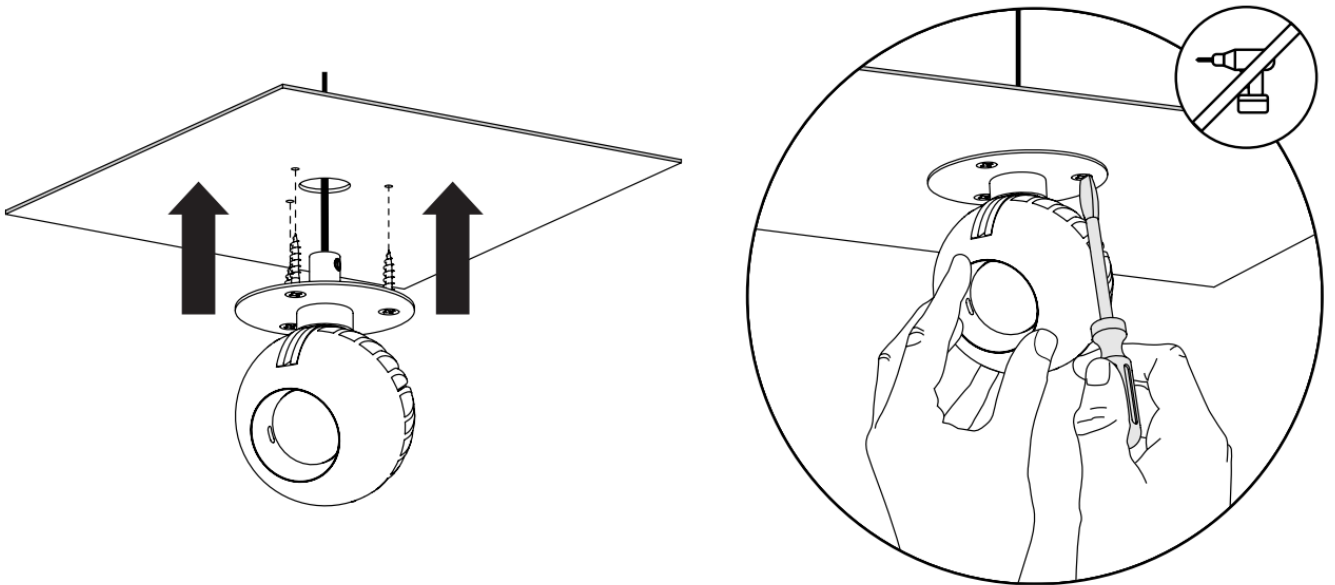
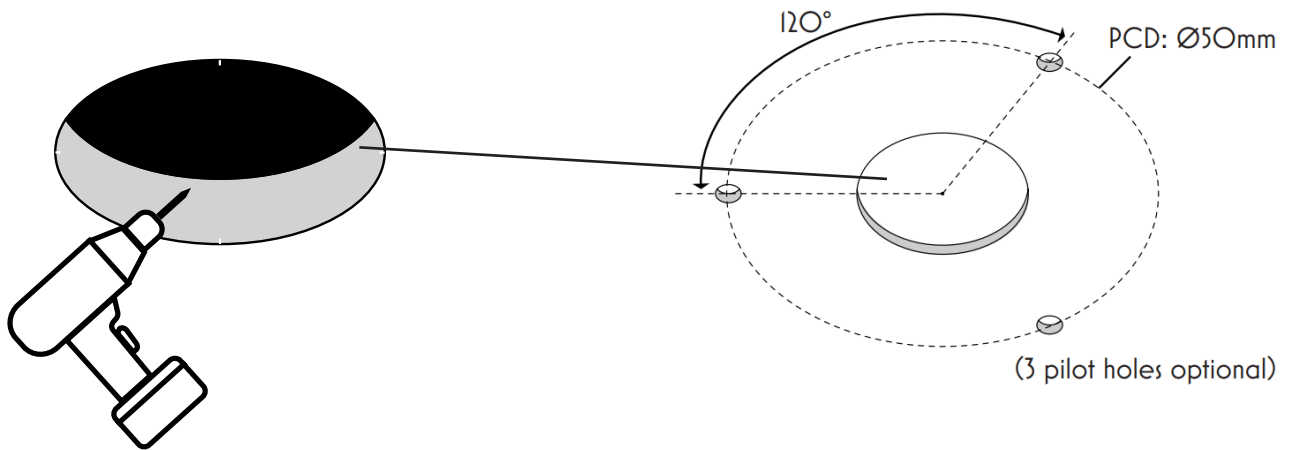


Lens changing



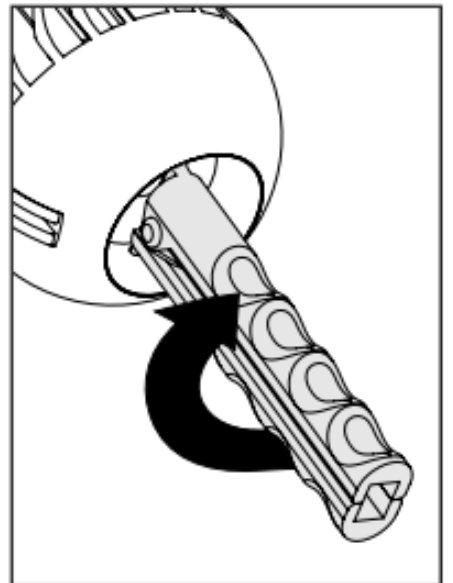
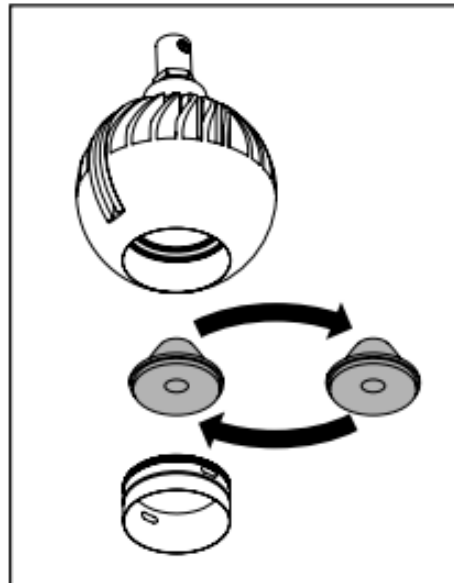
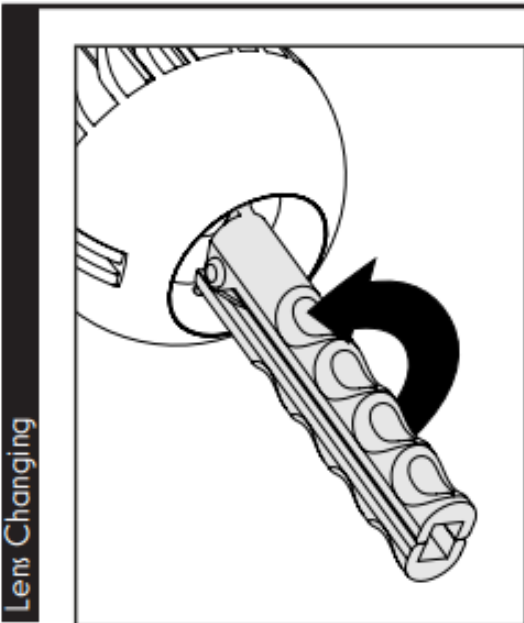
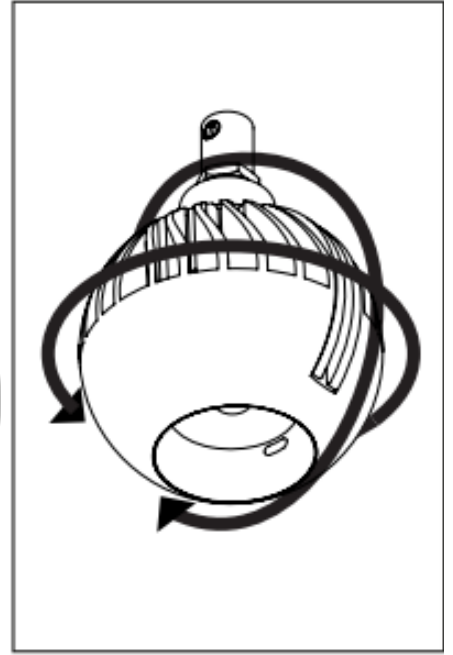
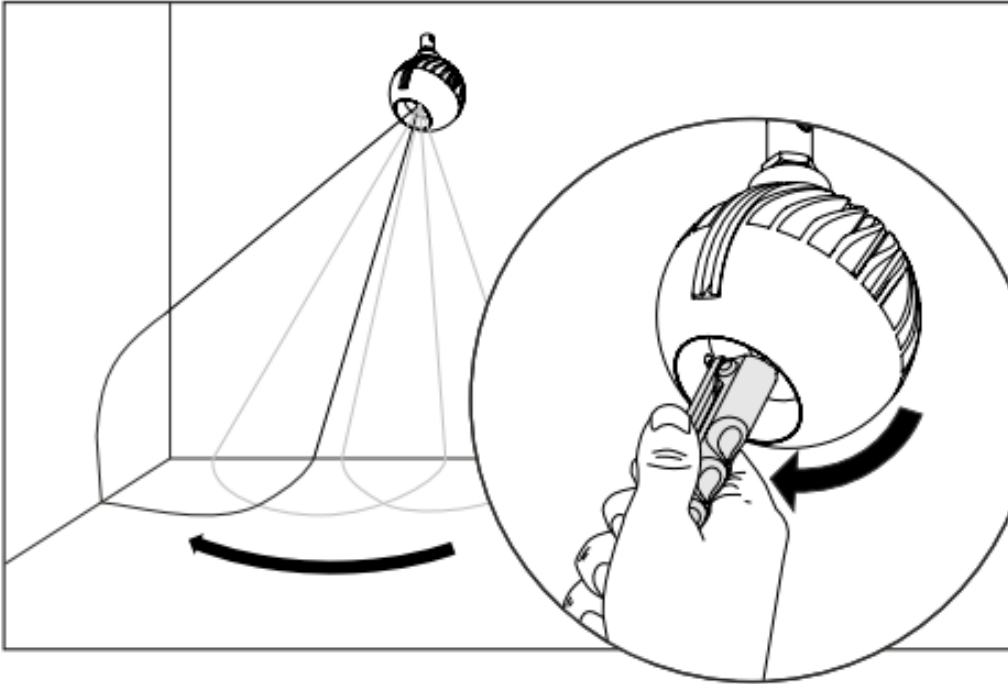
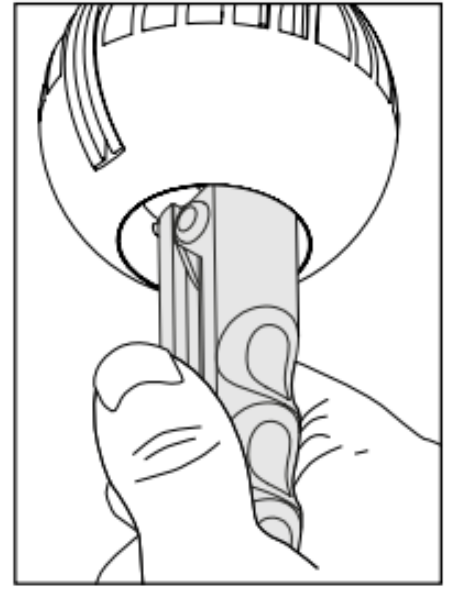
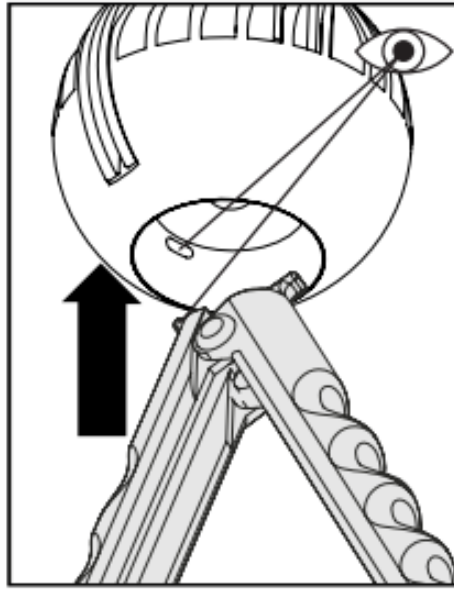
ORBA FITTING (SURFACE PLATE) INSTALLATION

PRE-INSTALLATION



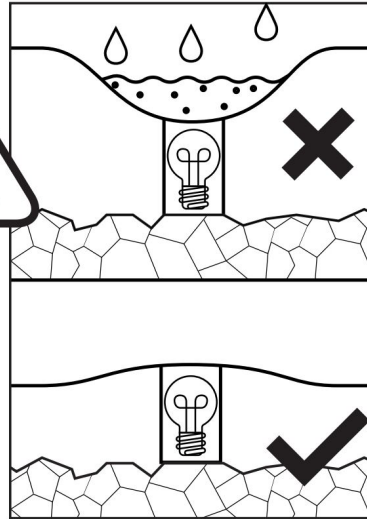
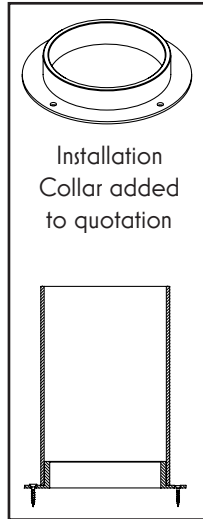
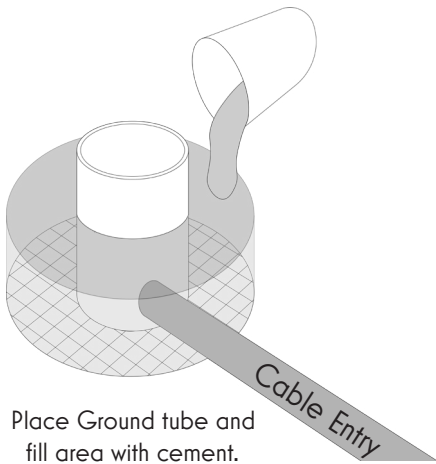
ADJUSTMENT TOOL

Beam Adjustment



Lens Changing

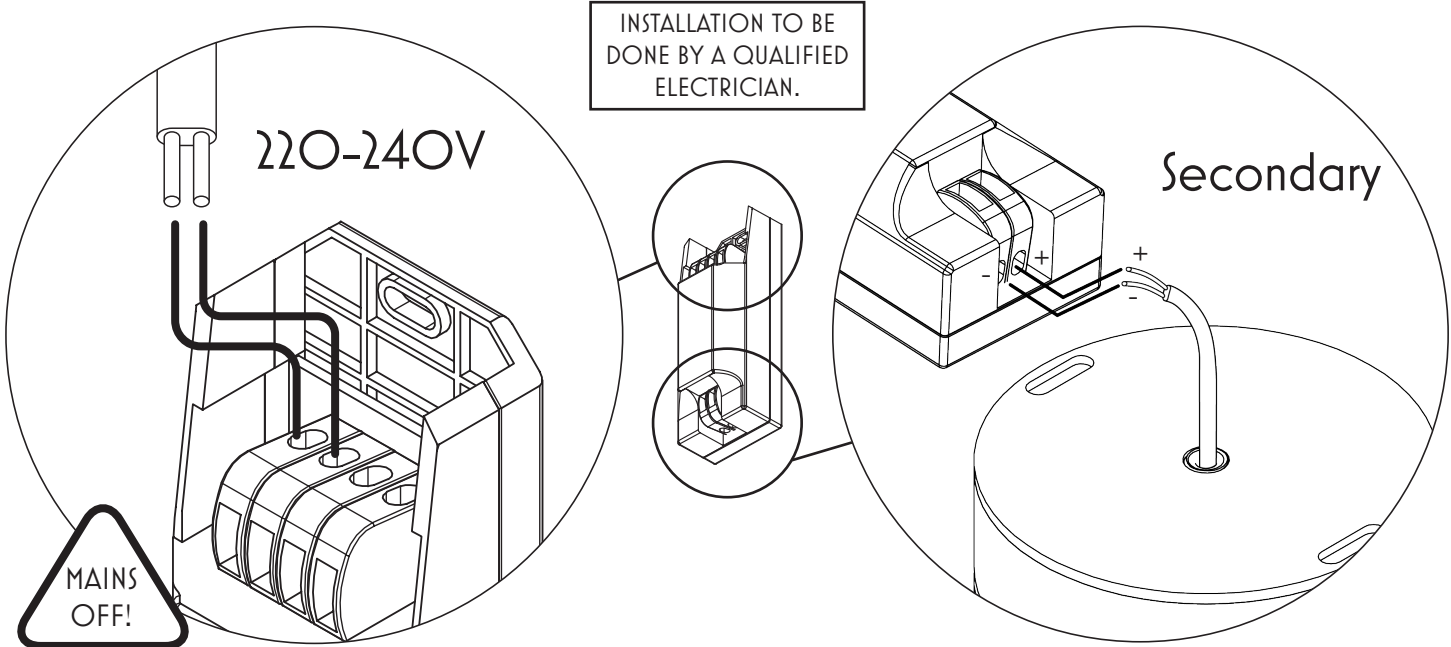
MIDI PANO ADJUSTABLE IN-GROUND INSTALLATION



ALL INGROUND FITTINGS ARE TESTED TO IP68 DURING PRODUCTION. WATER INGRESS ON SITE WILL BE AS A RESULT OF POOR INSTALLATION AND WILL THEREFORE VOID THE WARRANTY.

Ensure luminaire has proper drainage.

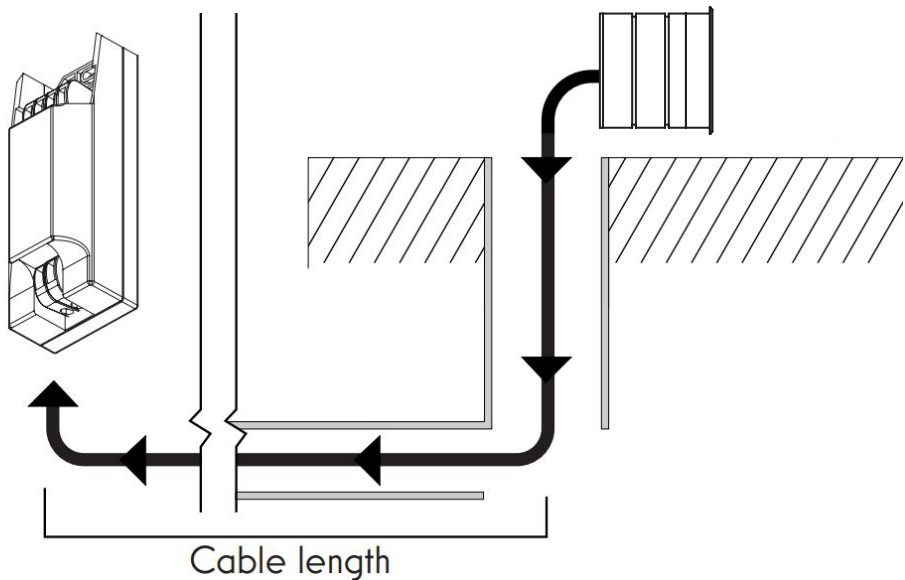
FOR ELECTRICIAN

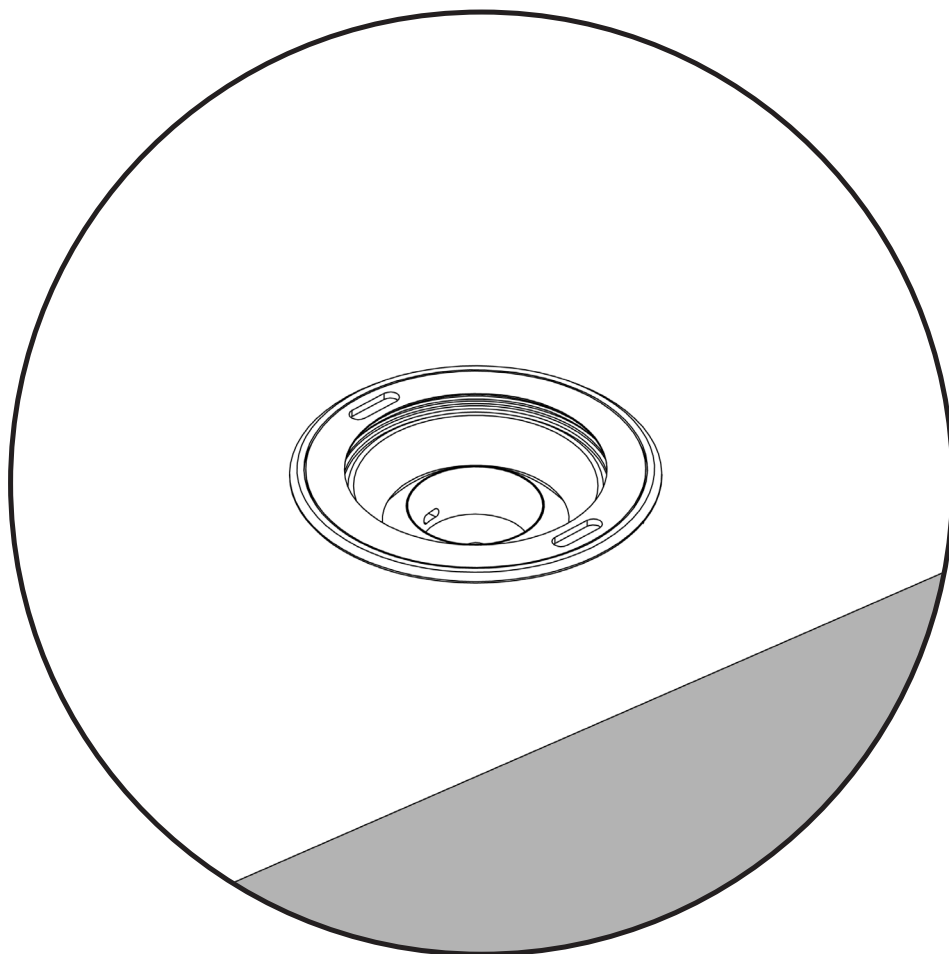
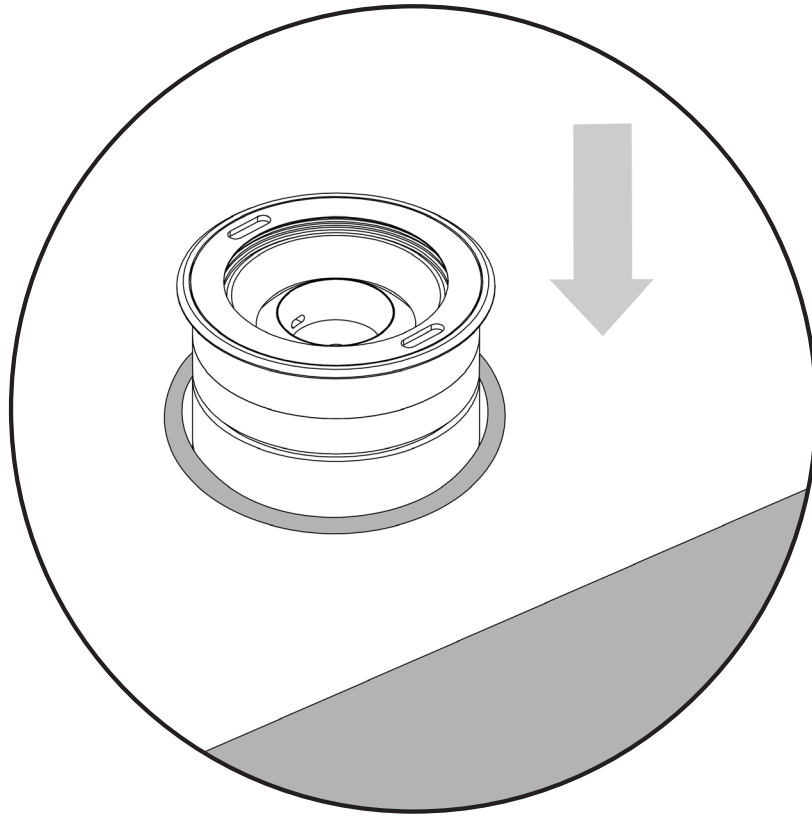


FOR OUTDOOR DRIVERS

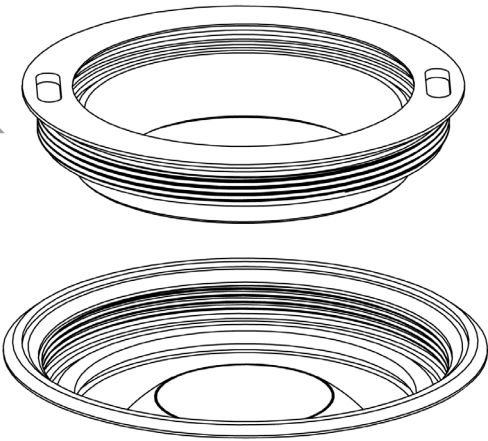
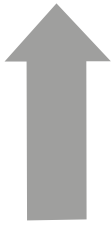
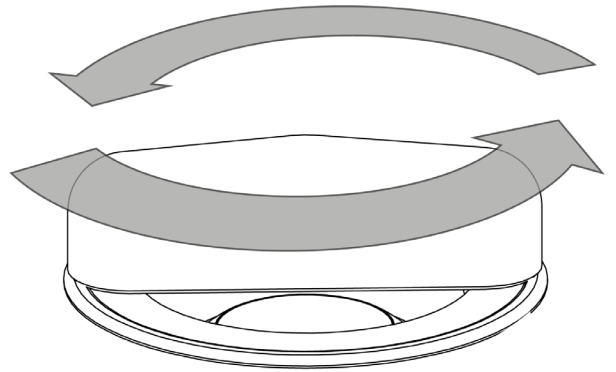
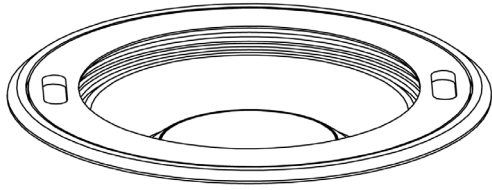
If driver is located outside you must use an **IP** rated enclosure.

Make sure driver is in a servicable area

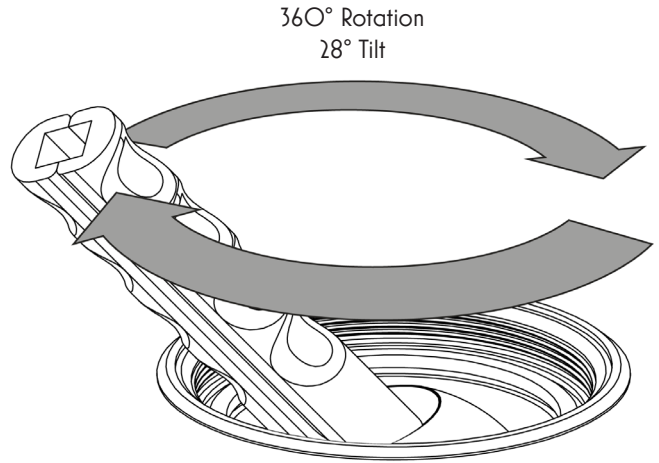




Opening Product

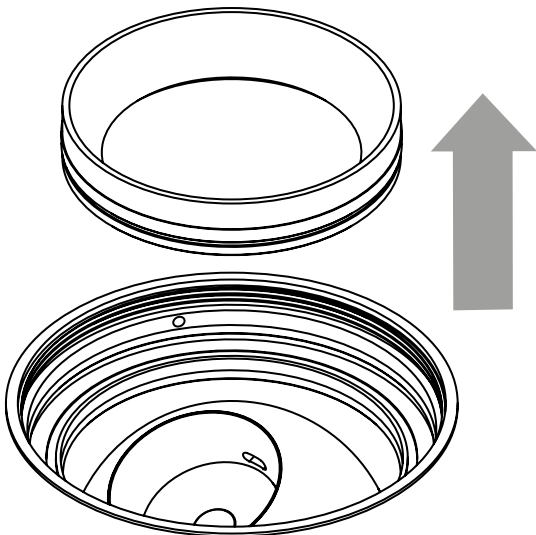


Adjusting Beam Direction

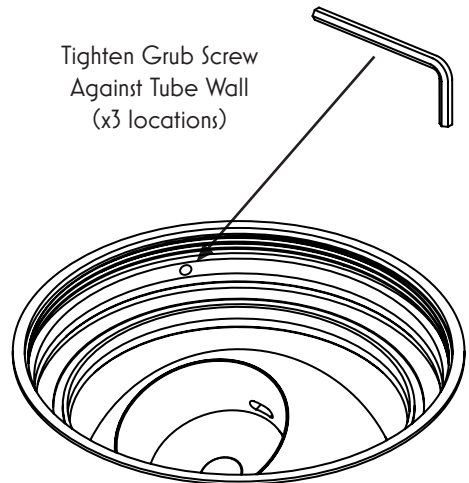


Securing Product In Ground

Remove Inner Baffle



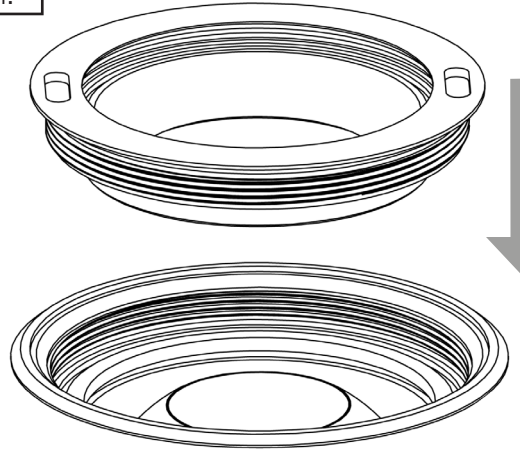
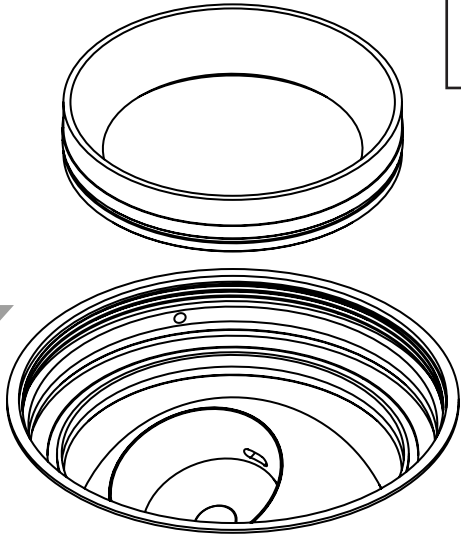
Tighten Grub Screw
Against Tube Wall
(x3 locations)



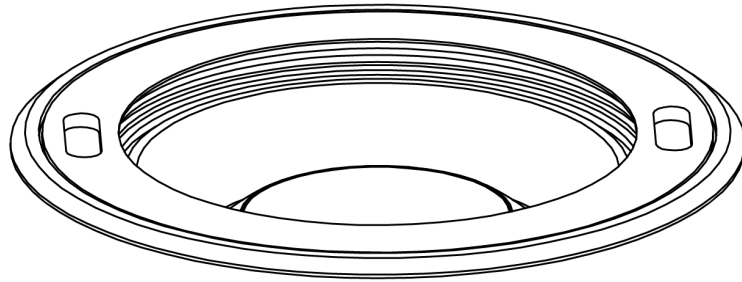
Replace Inner Baffle

CLEAN INNER FITTING AND SEALS
IF THE BEZEL IS REMOVED FOR
ADJUSTMENT. APPLY LUBE TO
THREAD BEFORE REASSEMBLY.

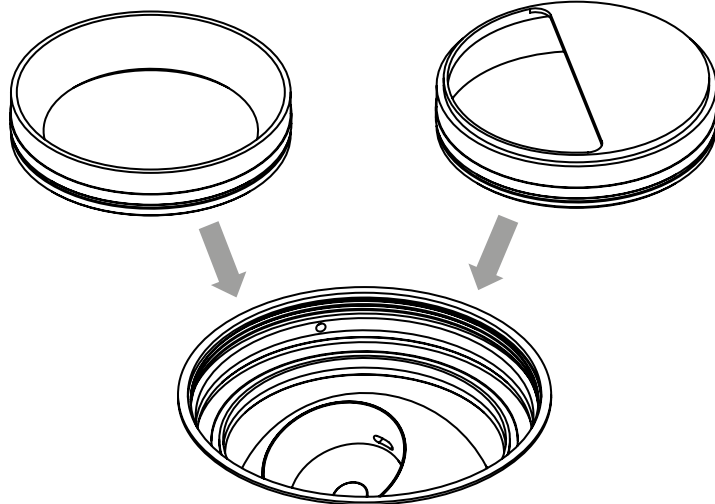
Replace Bezel



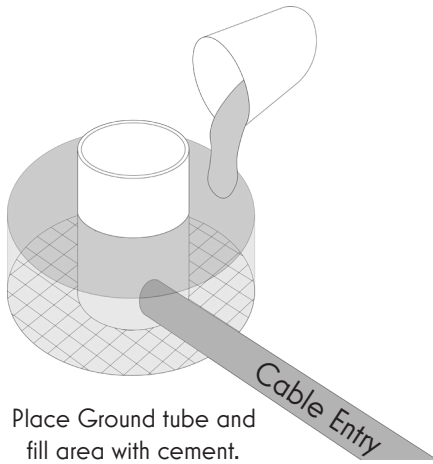
Product Complete



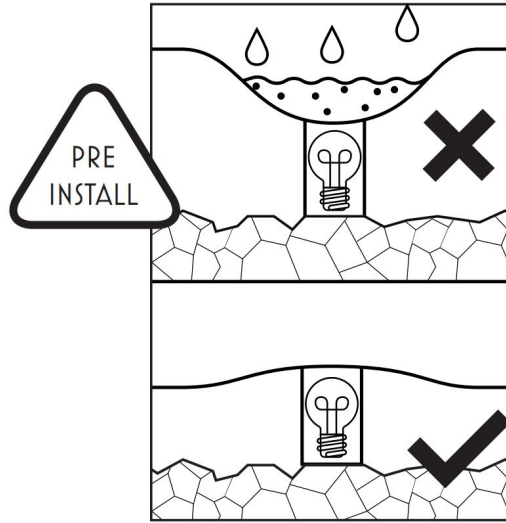
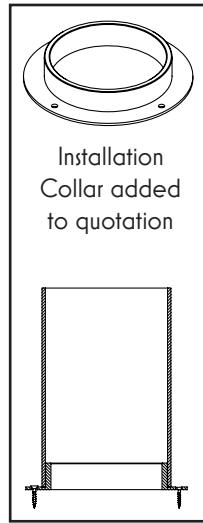
Remove Inner Baffle to Replace
with Half-Moon Accessory



NANO PANO ADJUSTABLE IN-GROUND INSTALLATION



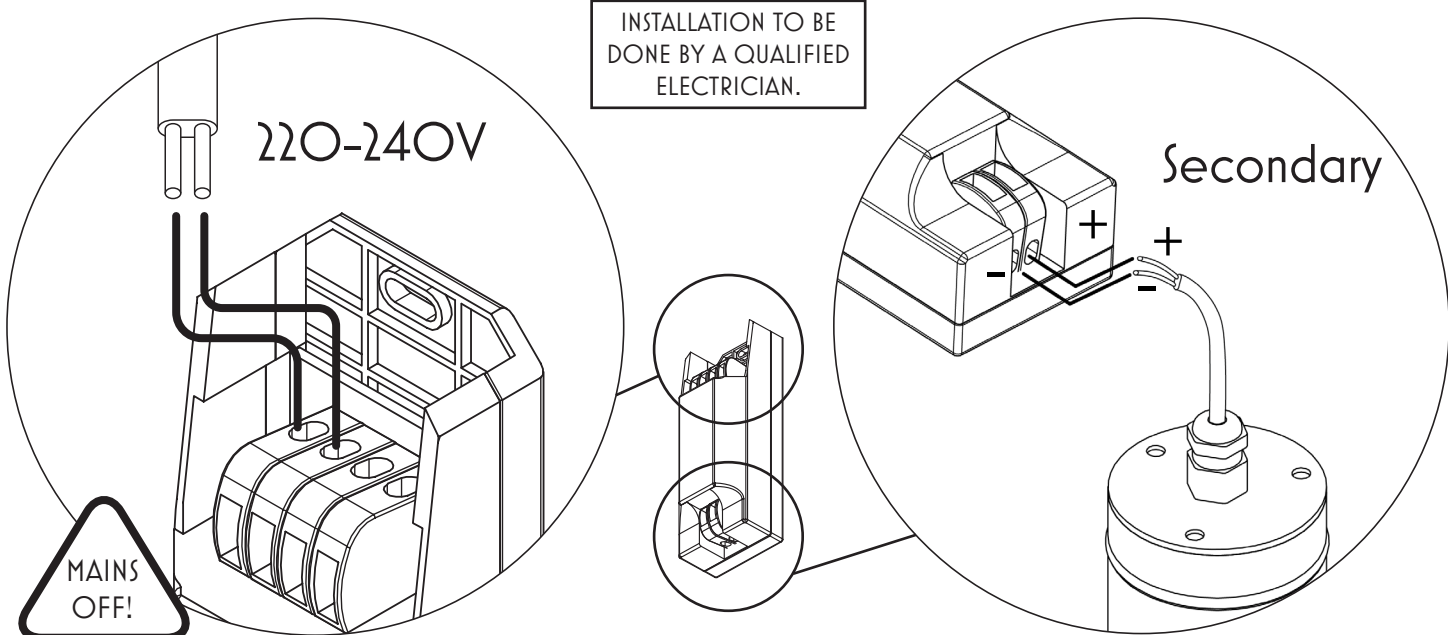
Place Ground tube and fill area with cement.



ALL INGROUND FITTINGS ARE TESTED TO IP68 DURING PRODUCTION. WATER INGRESS ON SITE WILL BE AS A RESULT OF POOR INSTALLATION AND WILL THEREFORE VOID THE WARRANTY.

Ensure luminaire has proper drainage.

FOR ELECTRICIAN

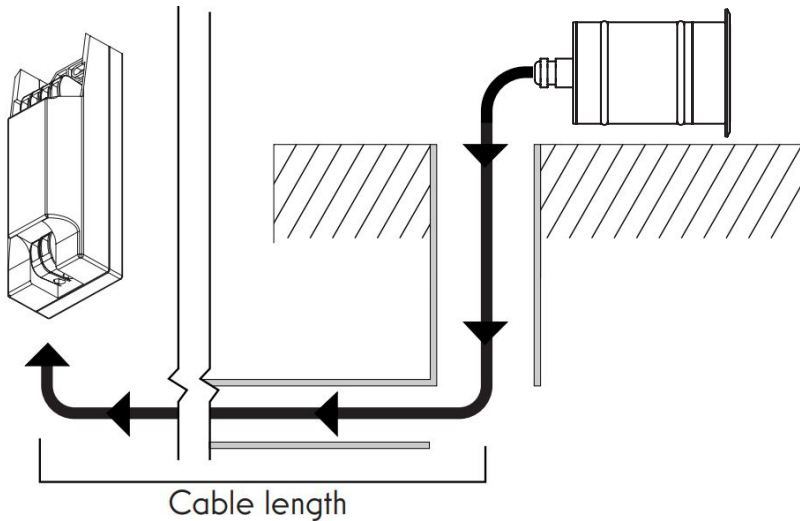


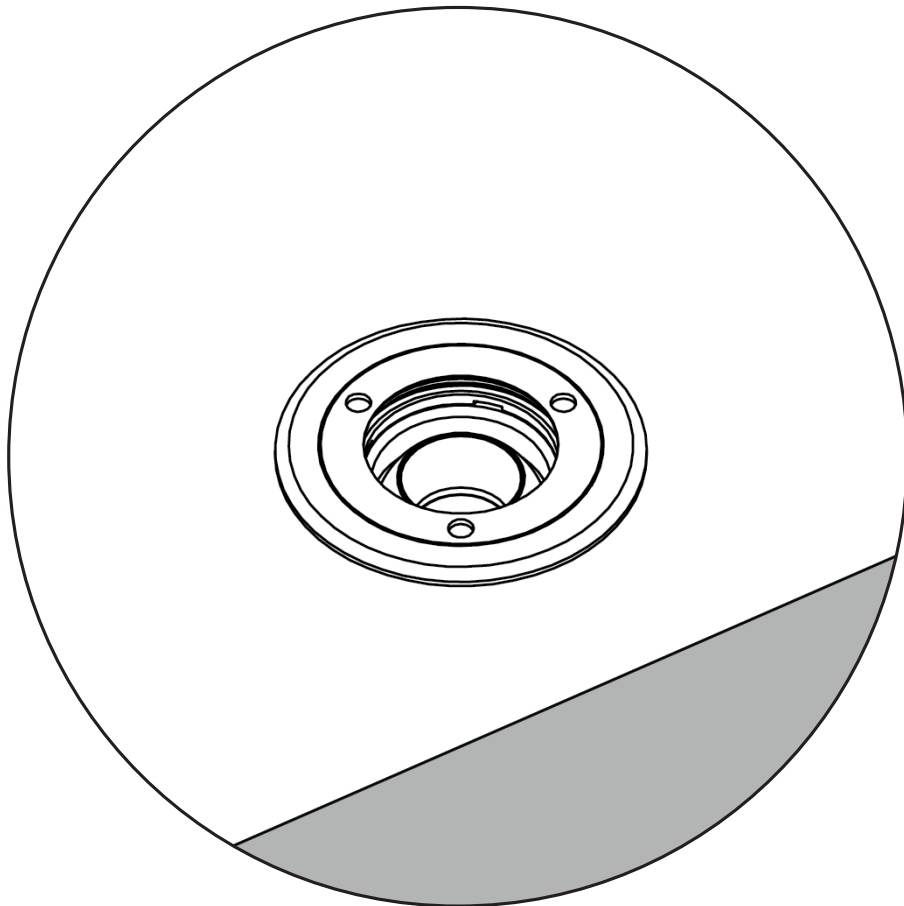
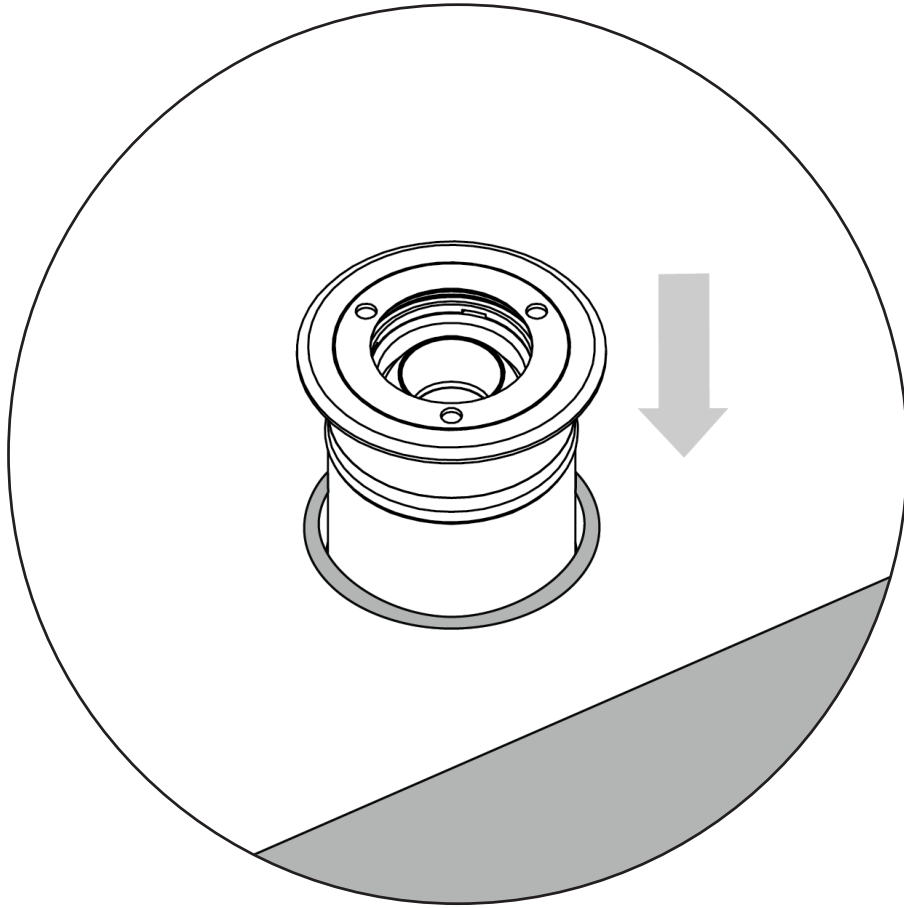
!

FOR OUTDOOR DRIVERS

If driver is located outside you must use an IP rated enclosure.

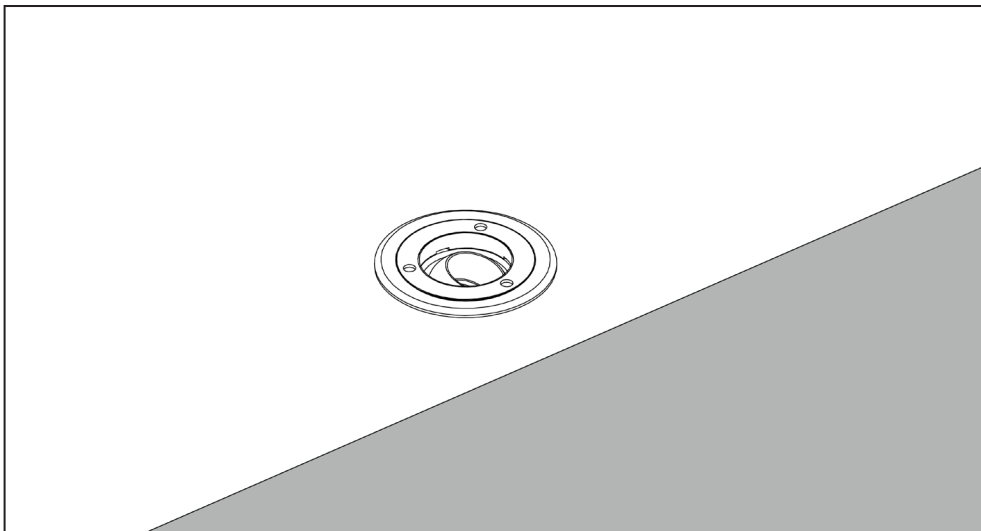
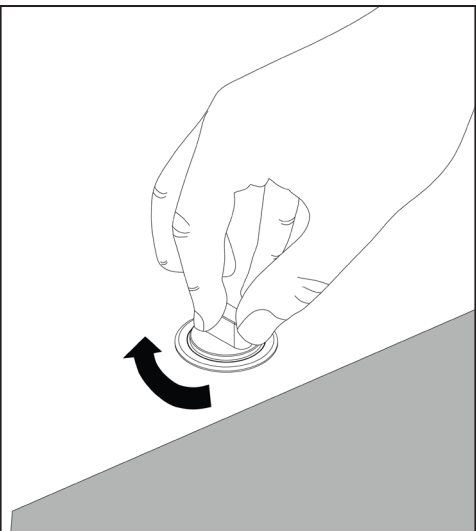
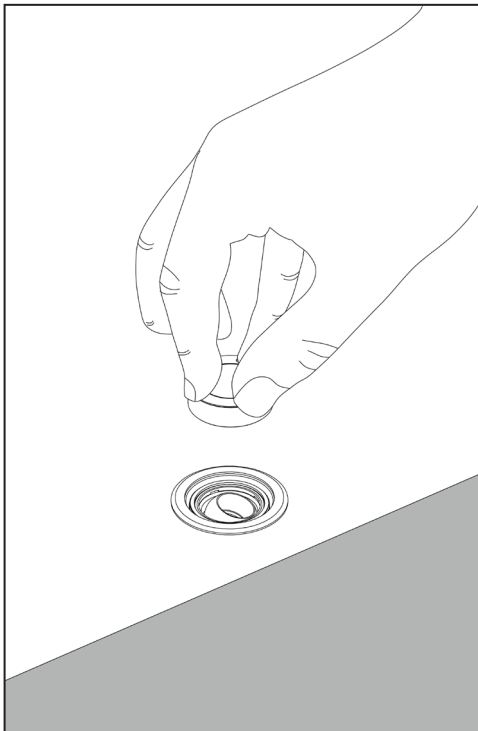
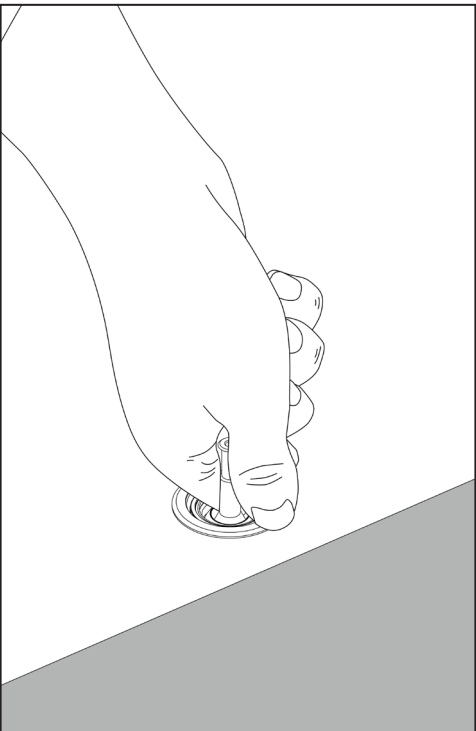
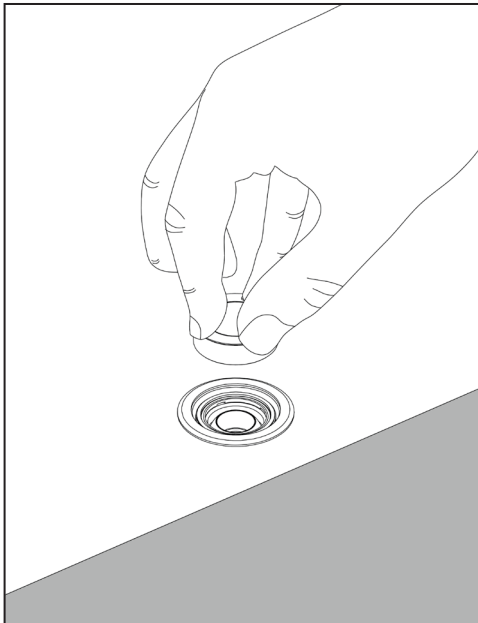
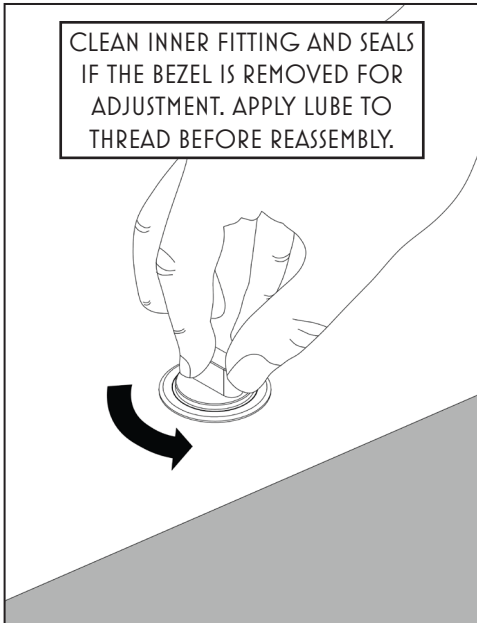
Make sure driver is in a servicable area





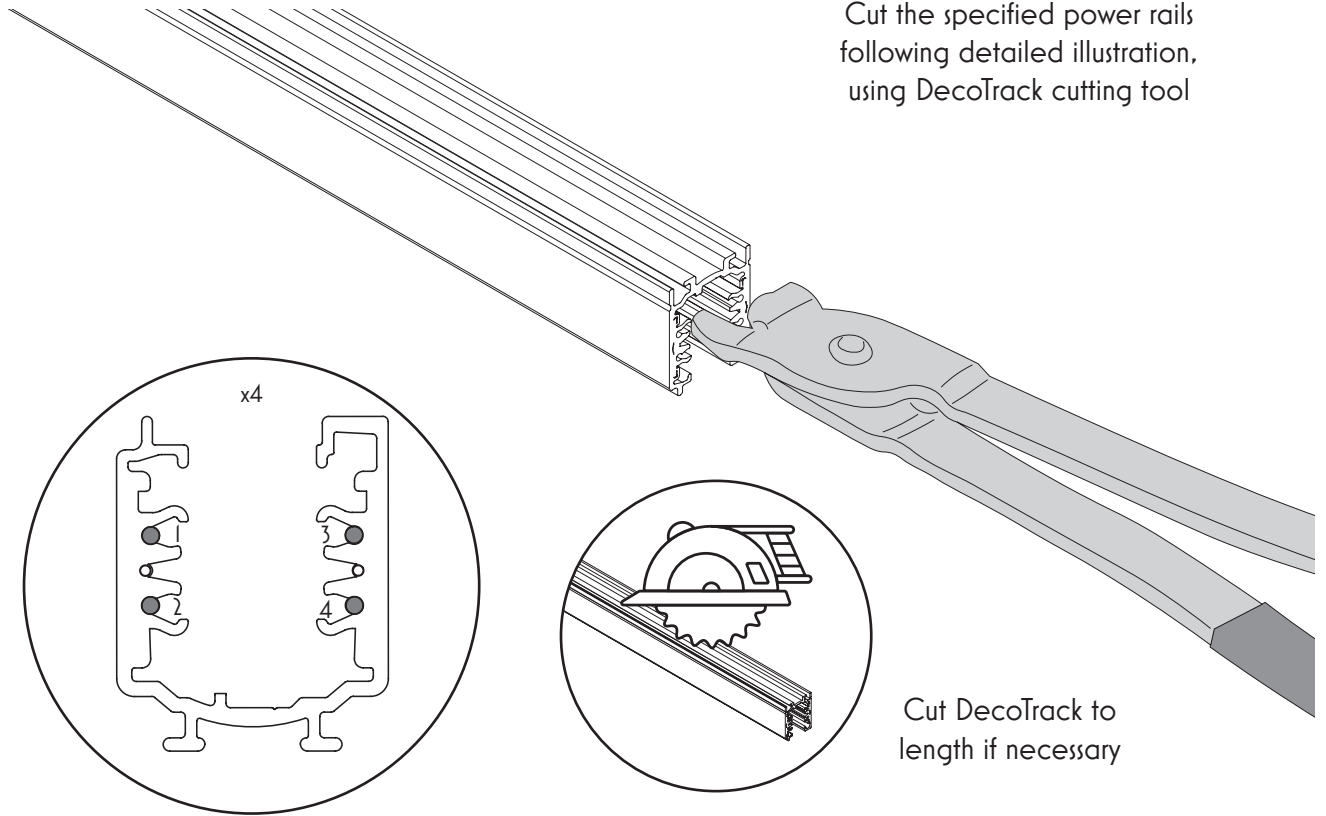
**Nano Pano
Inground Adjustable -
Adjusting beam angle**

CLEAN INNER FITTING AND SEALS
IF THE BEZEL IS REMOVED FOR
ADJUSTMENT. APPLY LUBE TO
THREAD BEFORE REASSEMBLY.

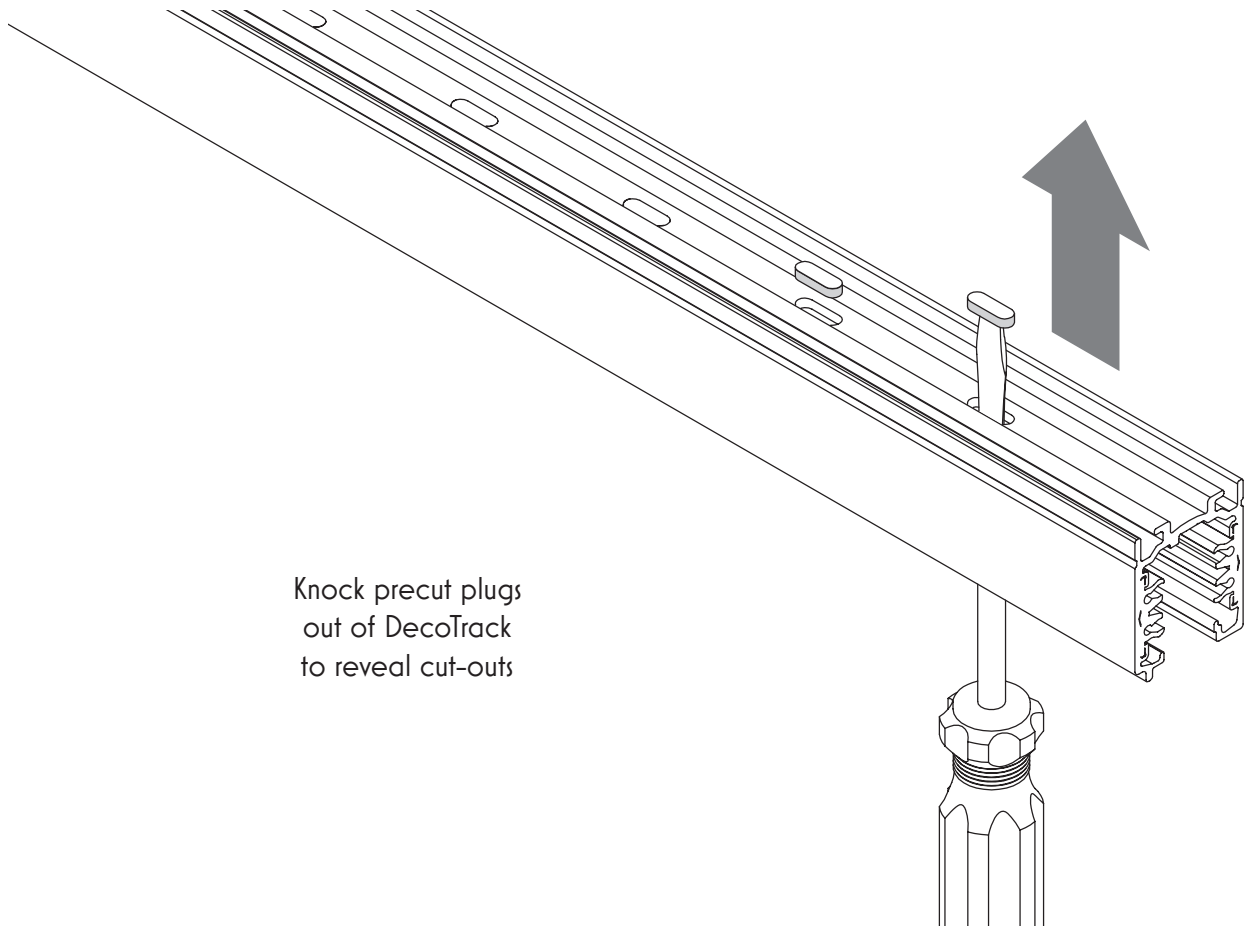


DECOTRACK STANDARD INSTALLATION

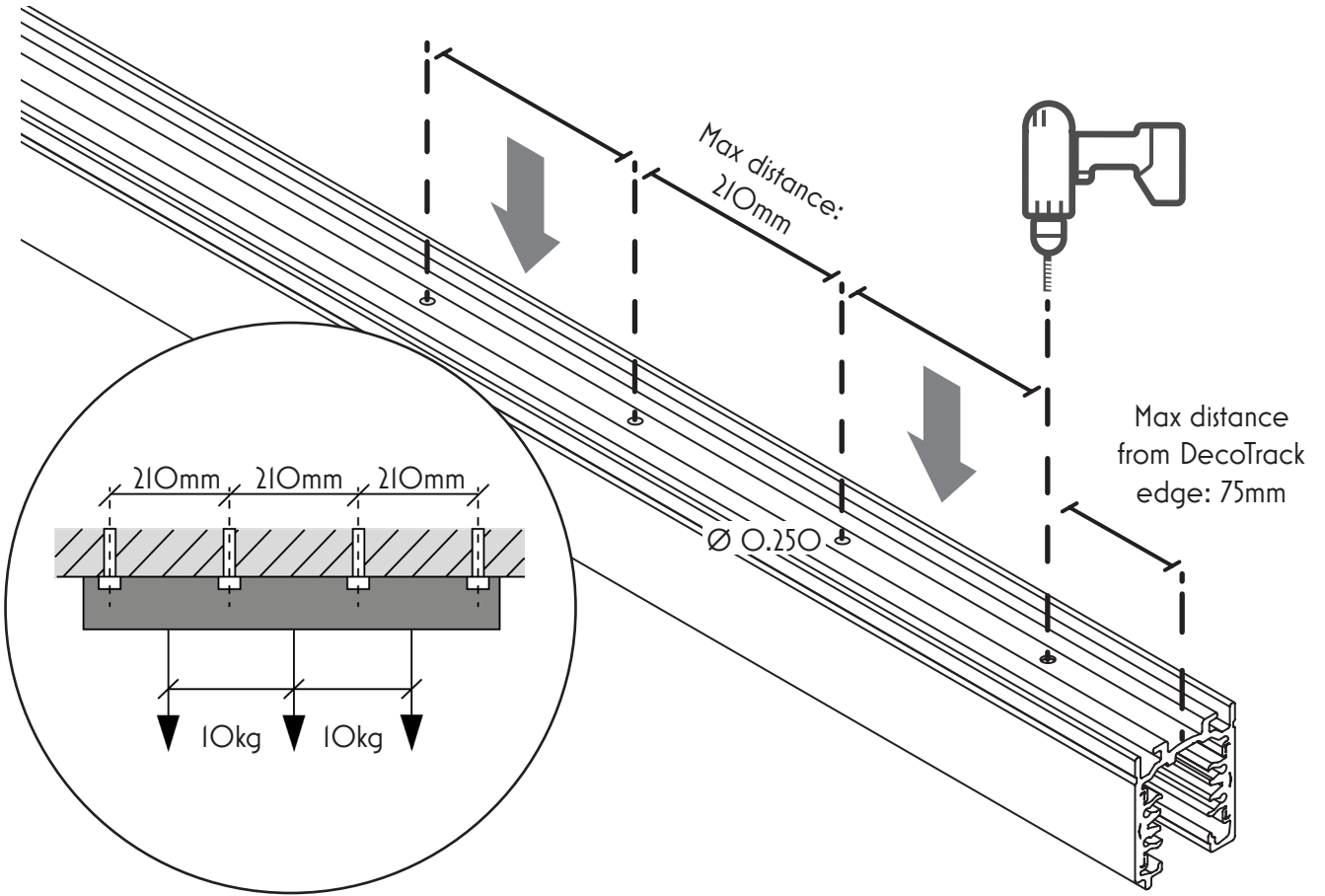
PRE-INSTALLATION



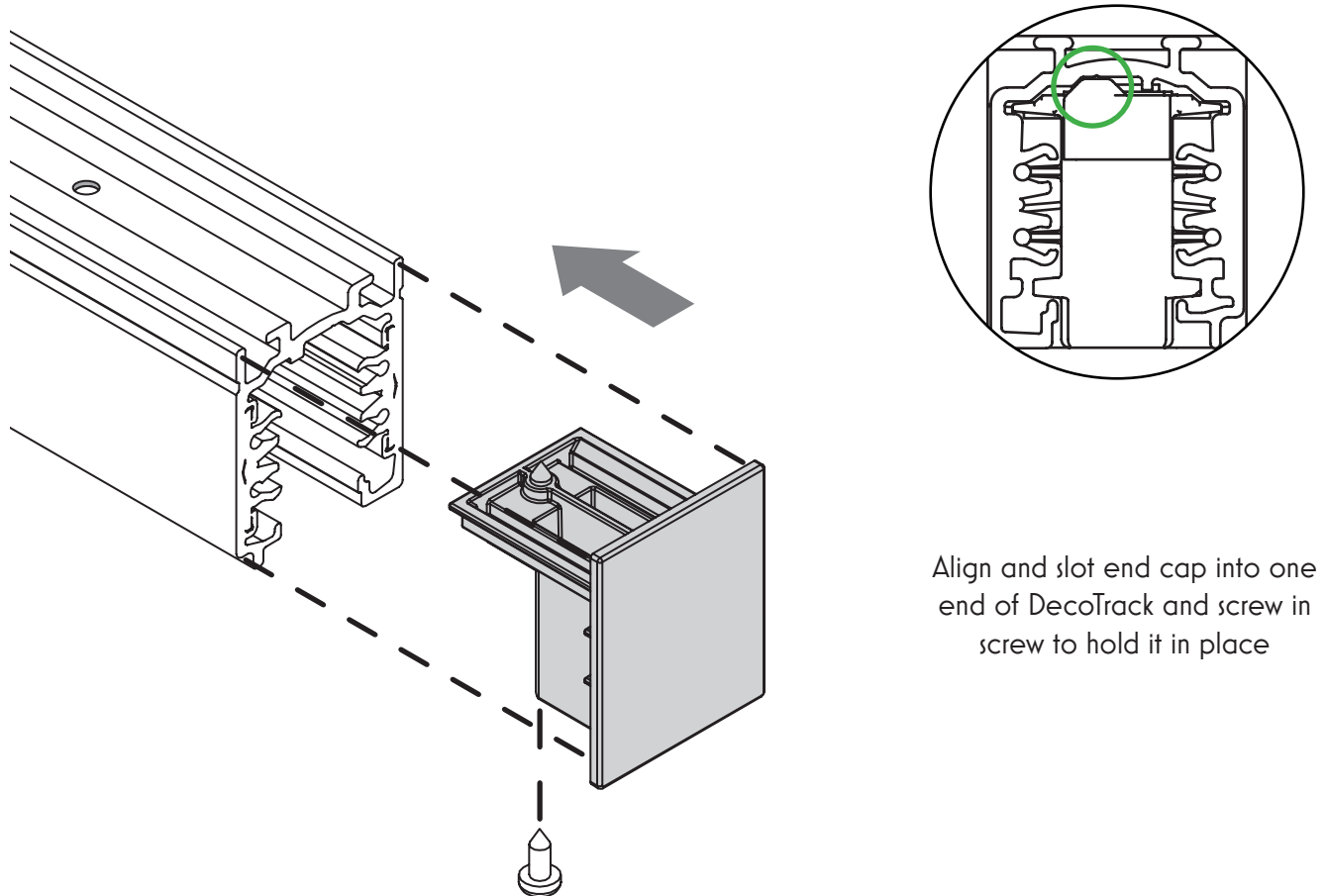
METHOD ONE - PLUGS



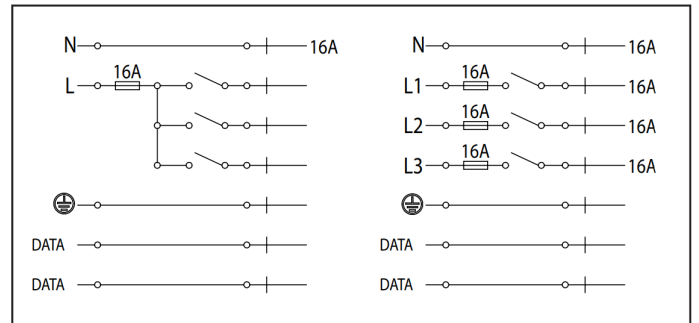
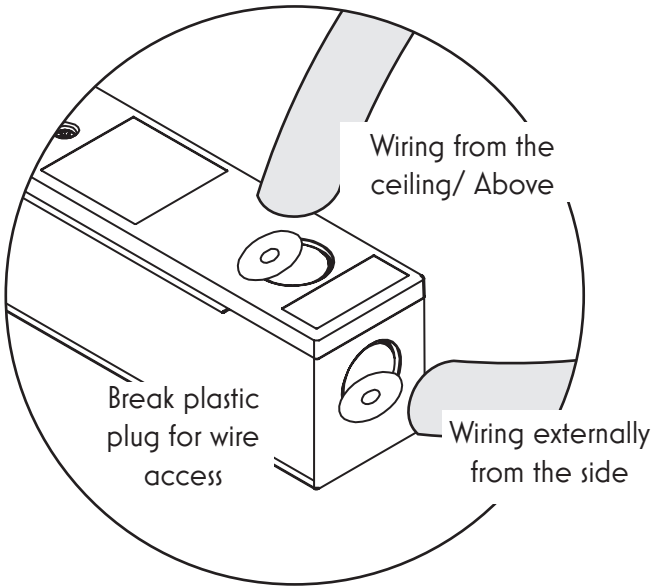
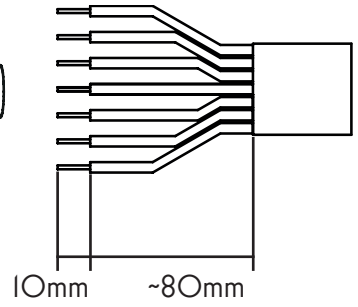
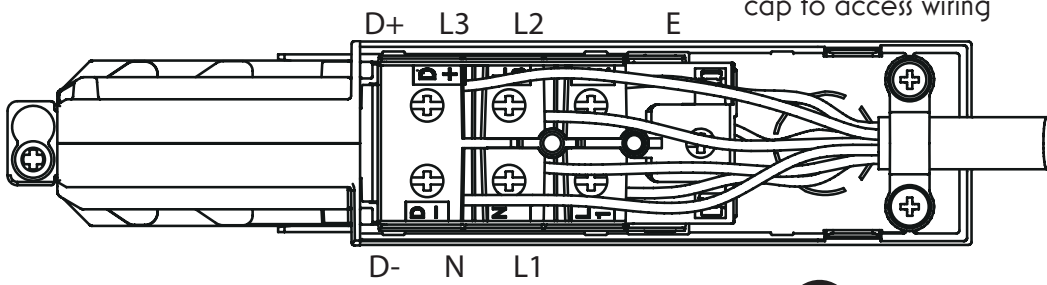
METHOD TWO - PILOT HOLES



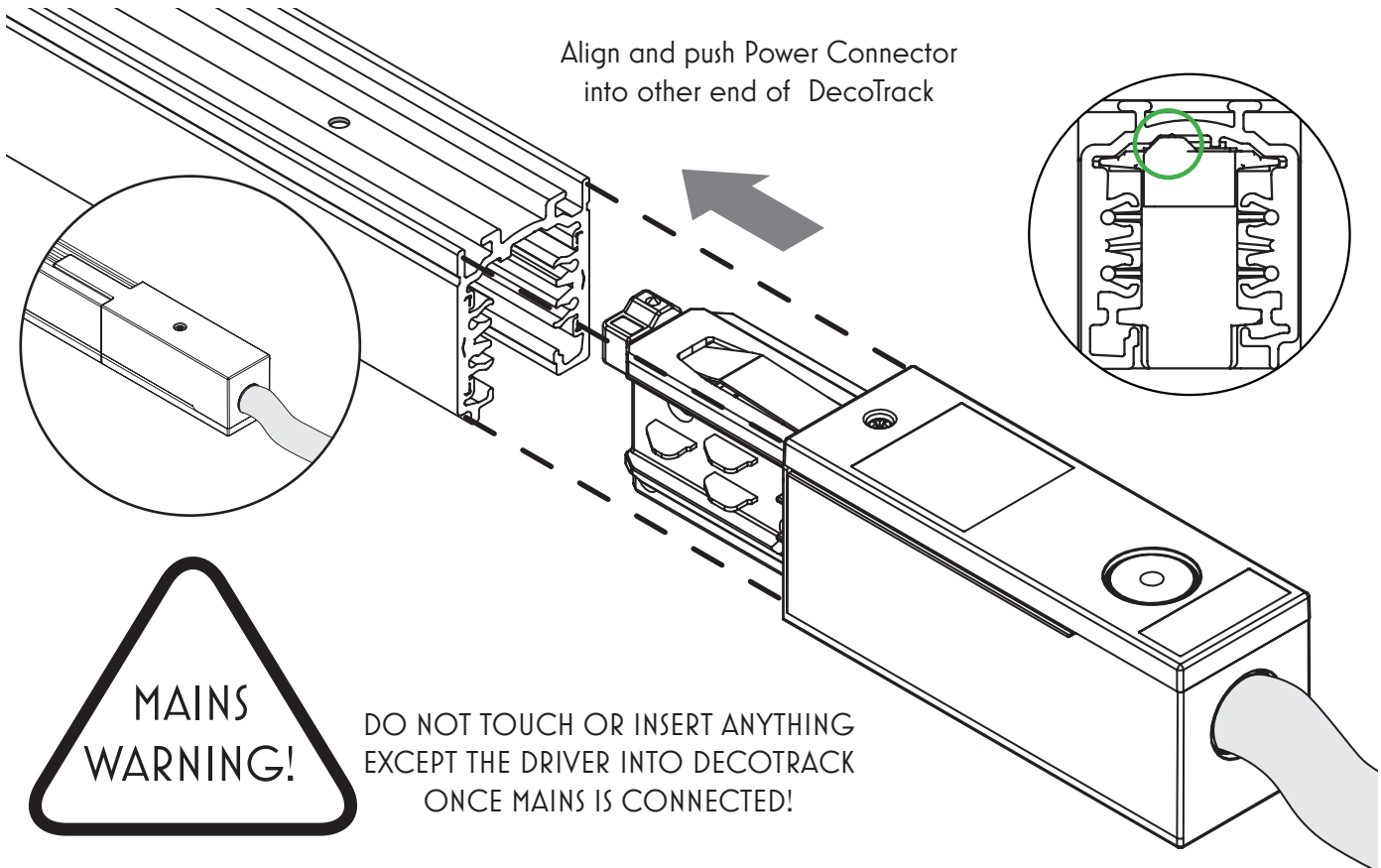
ADDING END ACCESSORIES



Unscrew power connector cap to access wiring



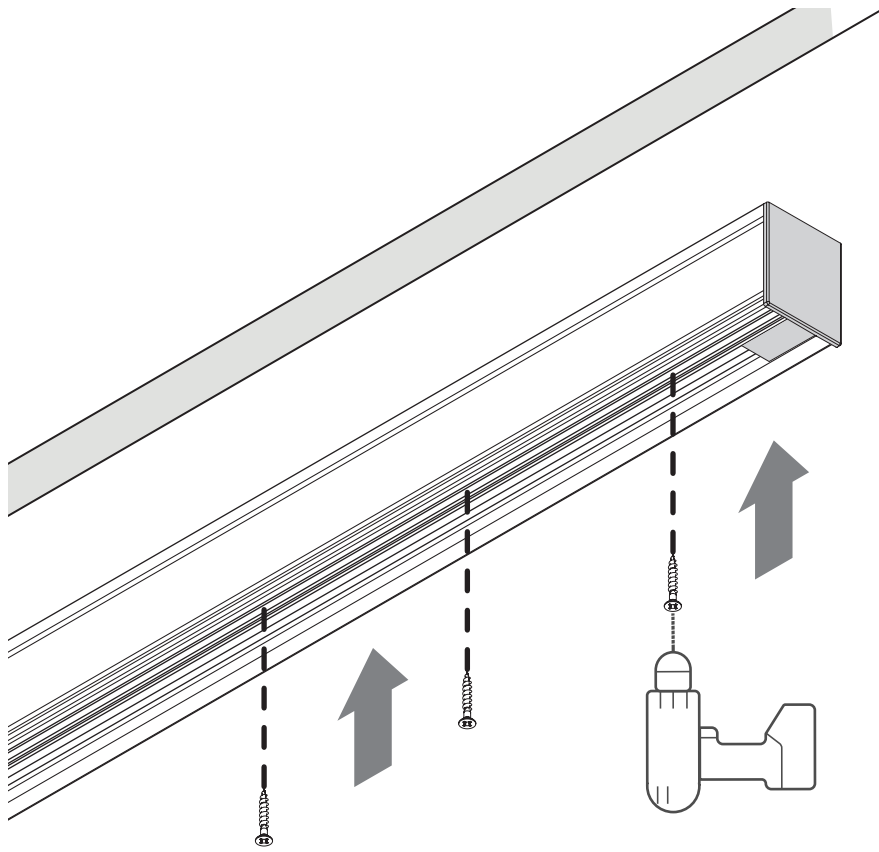
Align and push Power Connector into other end of DecoTrack



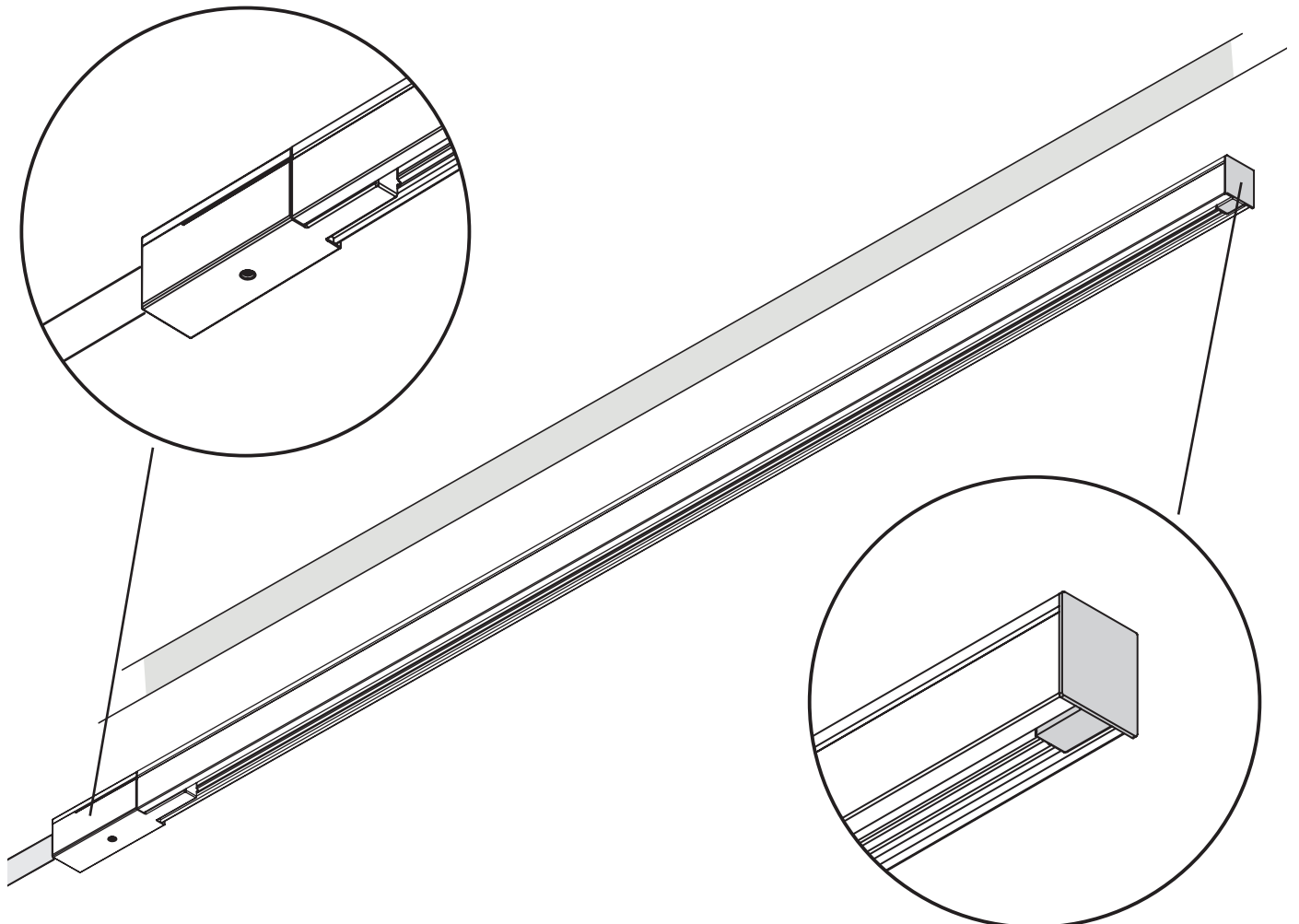
DO NOT TOUCH OR INSERT ANYTHING EXCEPT THE DRIVER INTO DECOTRACK ONCE MAINS IS CONNECTED!



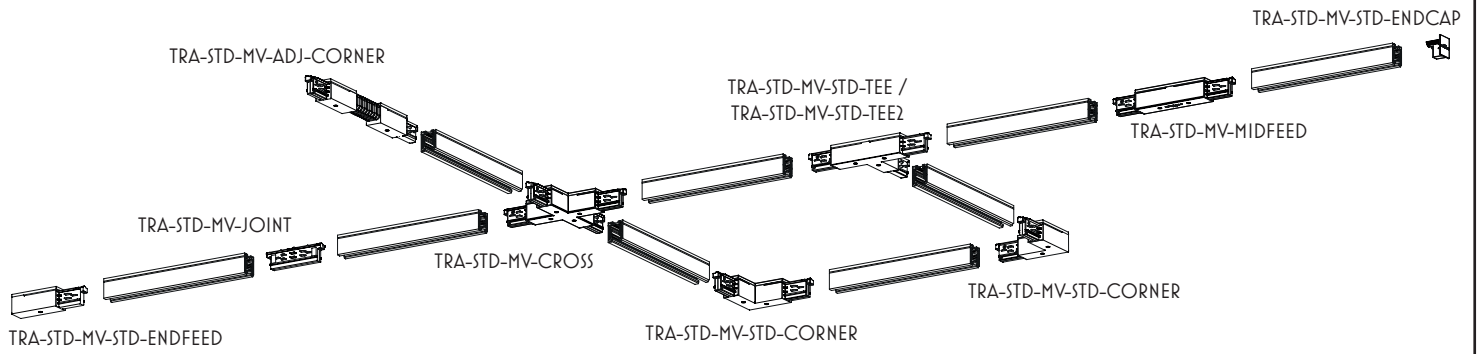
DO NOT TOUCH OR INSERT ANYTHING EXCEPT THE DRIVER INTO DECOTRACK ONCE MAINS IS CONNECTED!



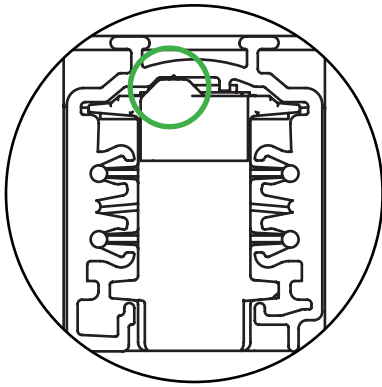
Screw low profile screws through pilot holes into desired DecoTrack location



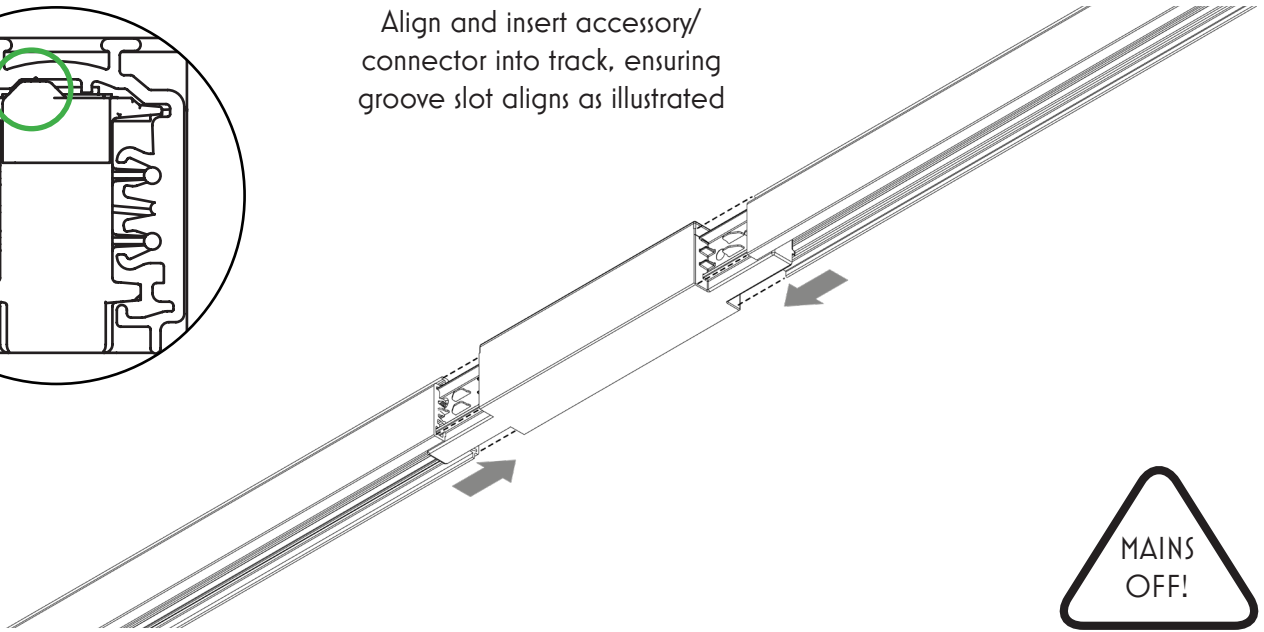
DECOTRACK SURFACE ACCESSORY GUIDE



CONNECTING SURFACE TRACK ACCESSORIES

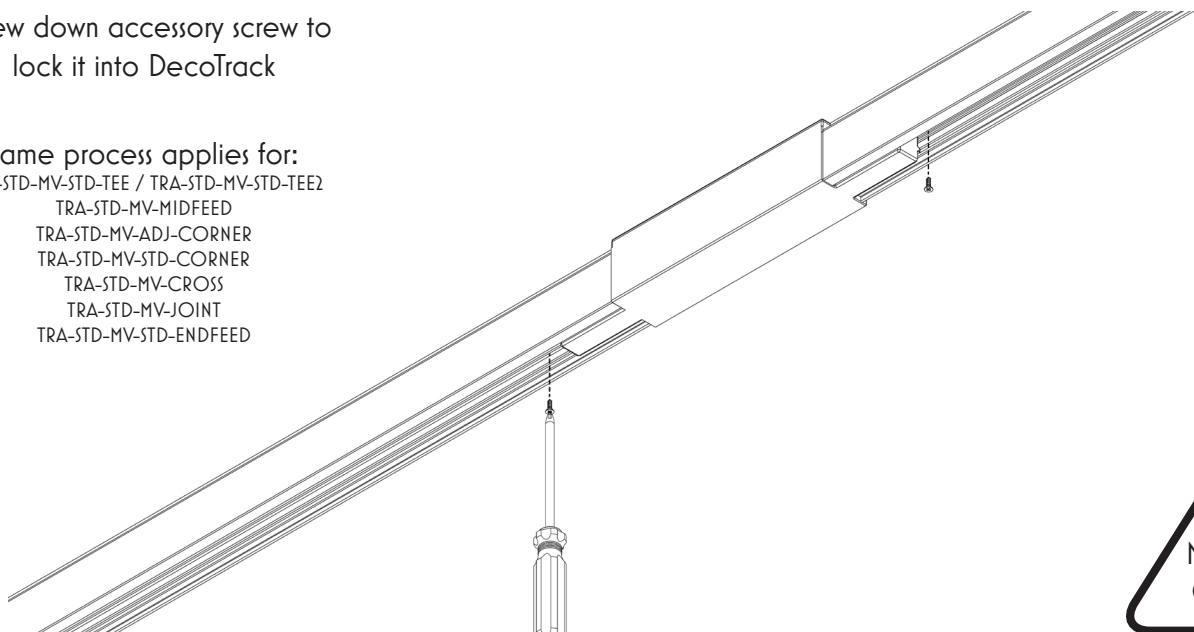


Align and insert accessory/
connector into track, ensuring
groove slot aligns as illustrated

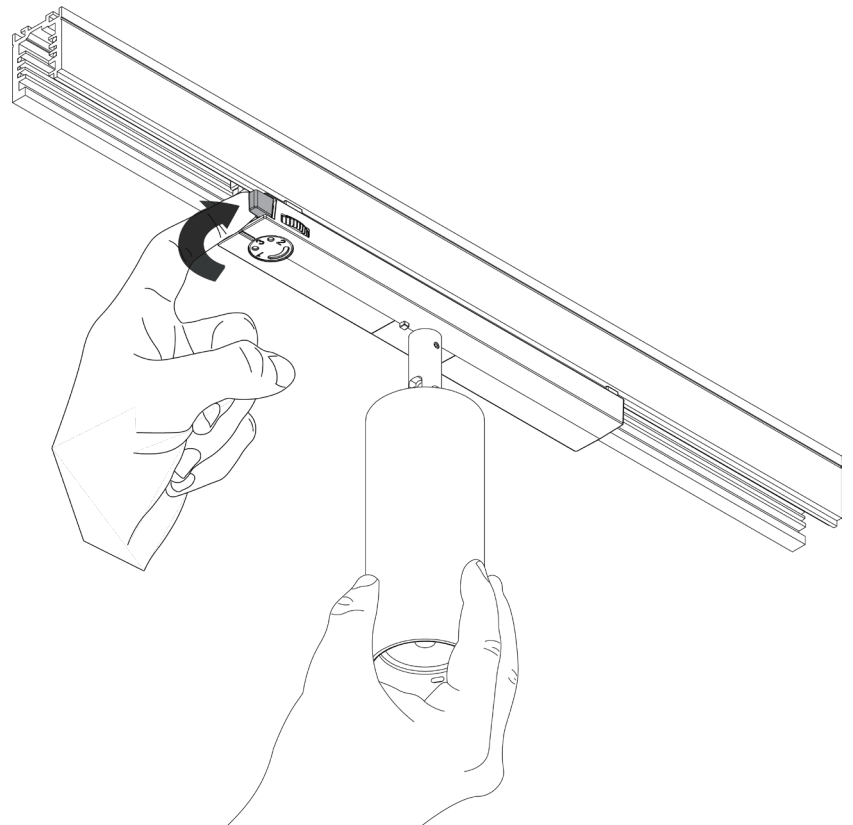
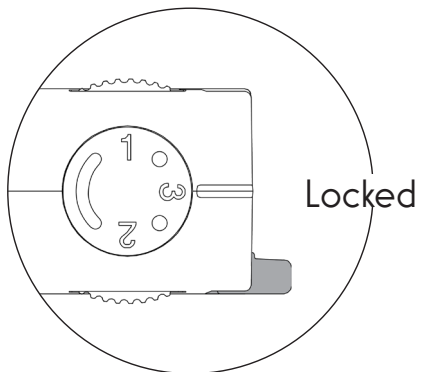
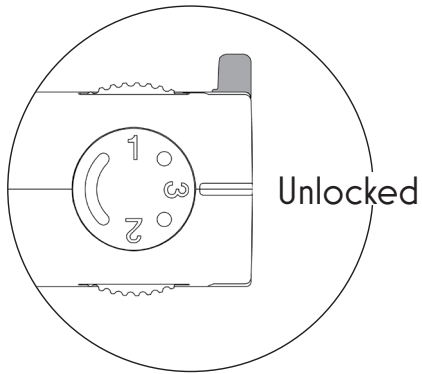
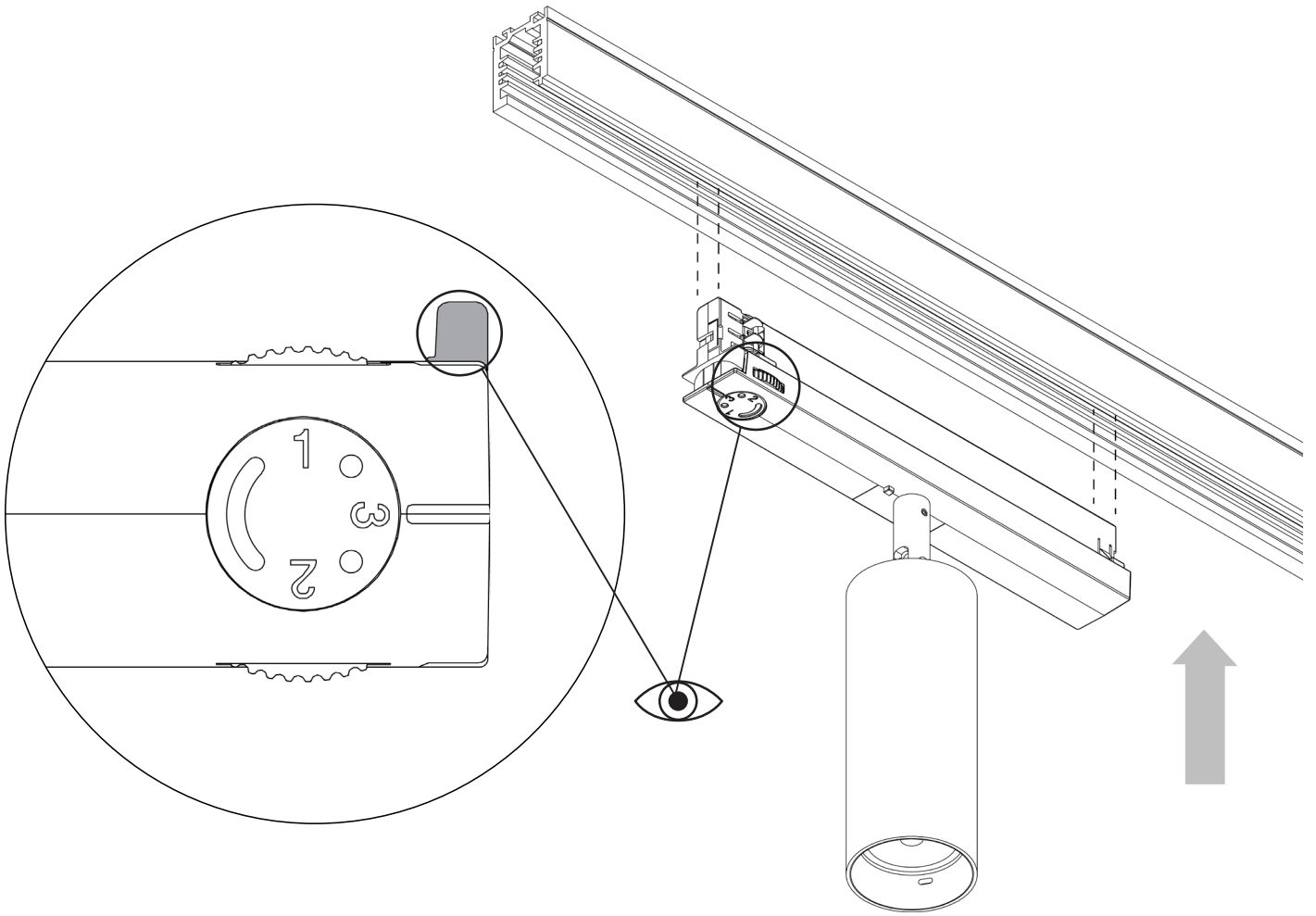


Screw down accessory screw to
lock it into DecoTrack

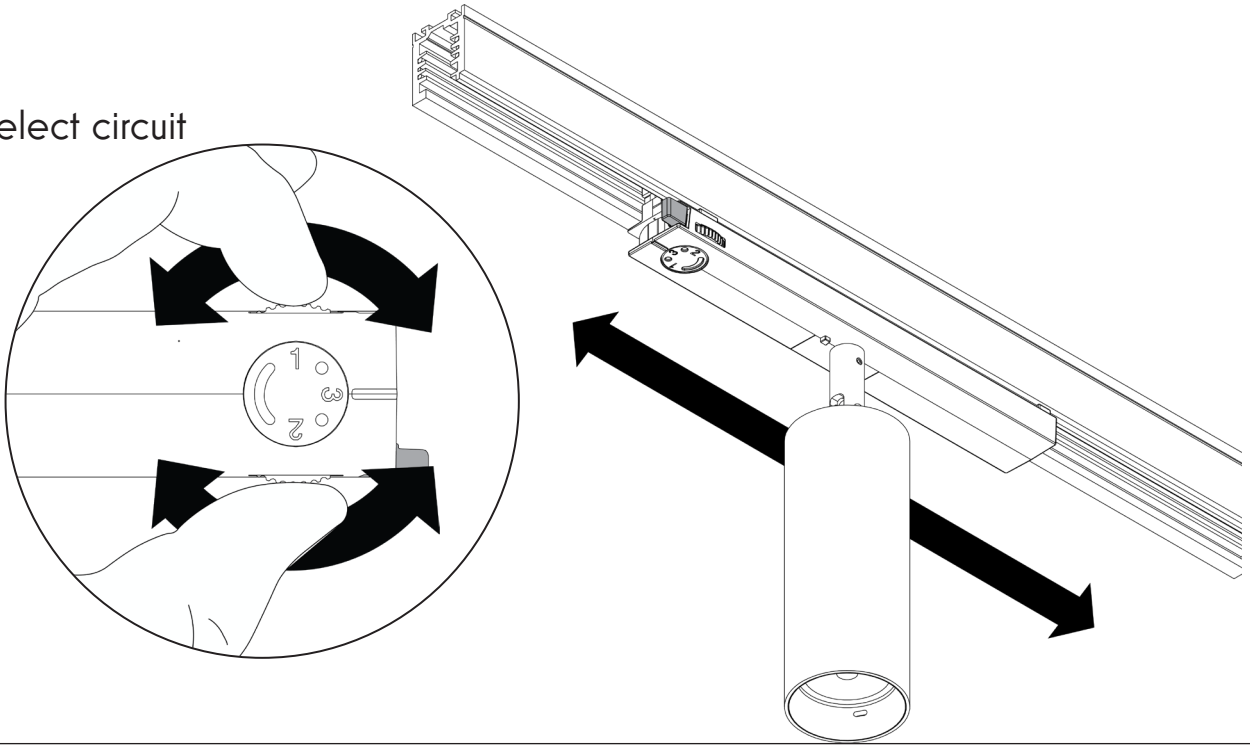
- Same process applies for:
- TRA-STD-MV-STD-TEE / TRA-STD-MV-STD-TEE2
 - TRA-STD-MV-MIDFEED
 - TRA-STD-MV-ADJ-CORNER
 - TRA-STD-MV-STD-CORNER
 - TRA-STD-MV-CROSS
 - TRA-STD-MV-JOINT
 - TRA-STD-MV-STD-ENDFEED



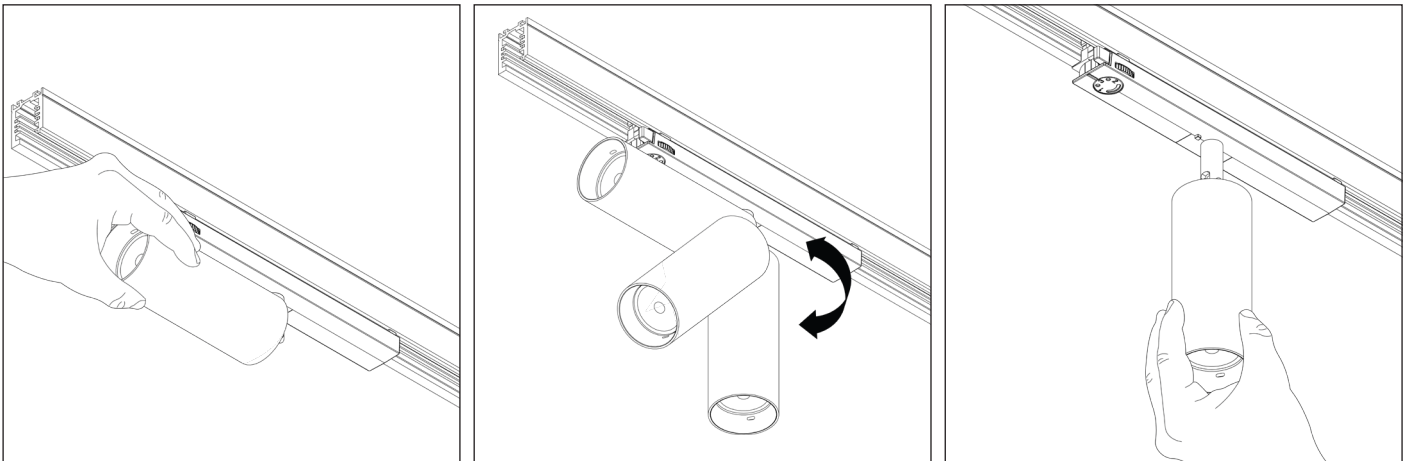
DECOTRACK DRIVER INSTALLATION



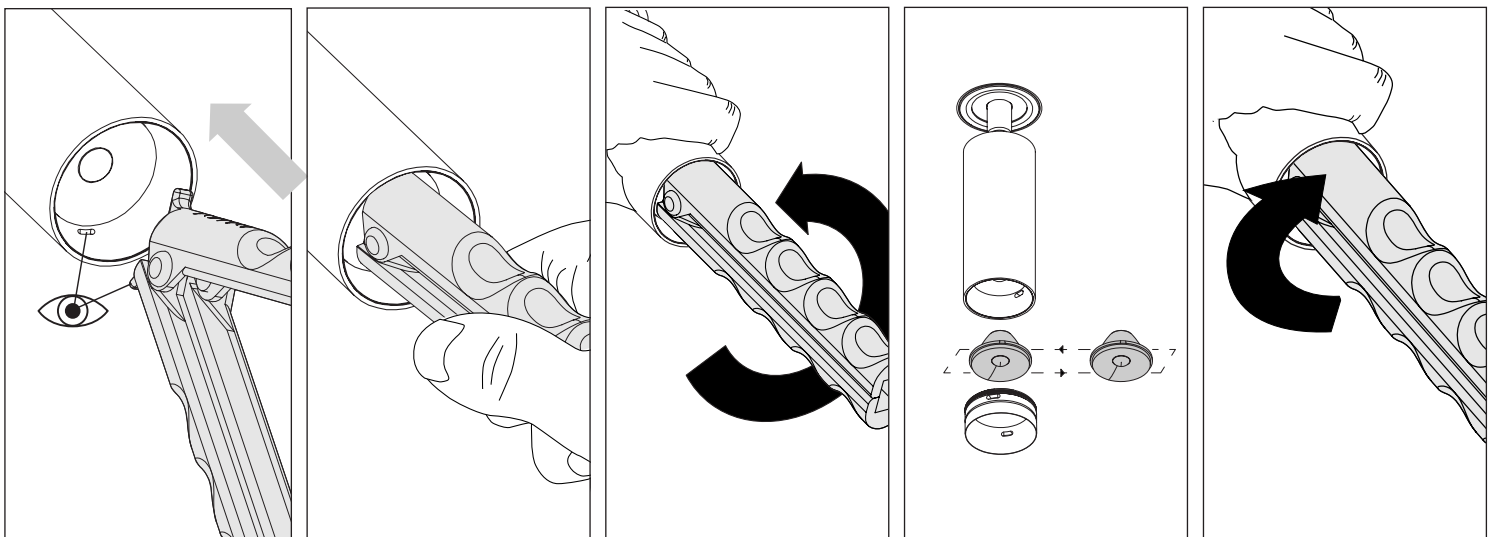
Select circuit



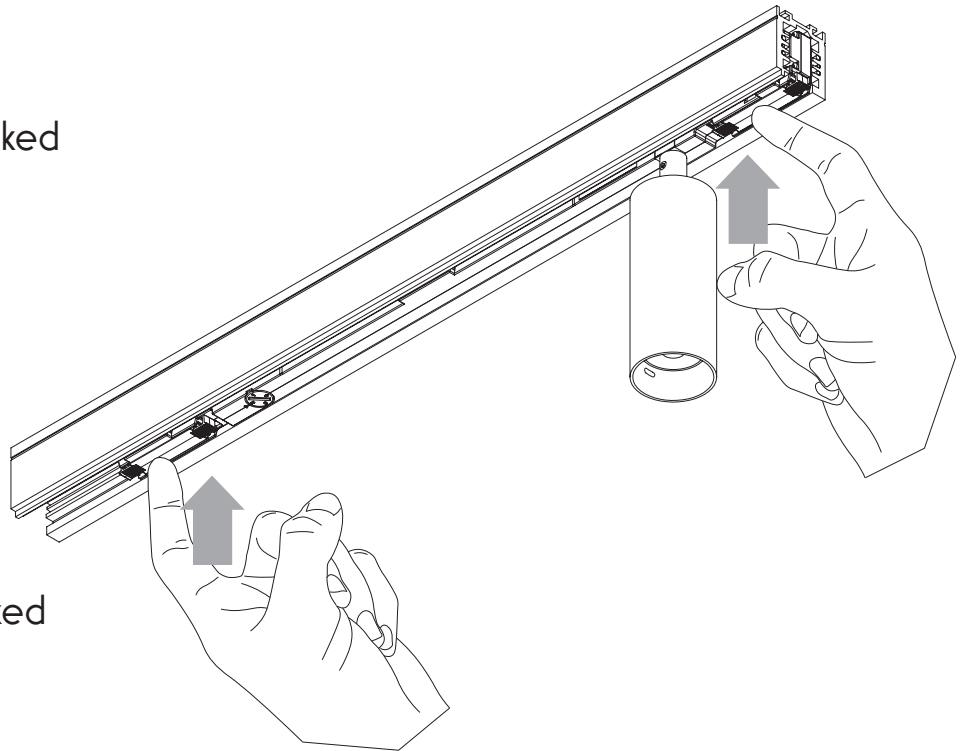
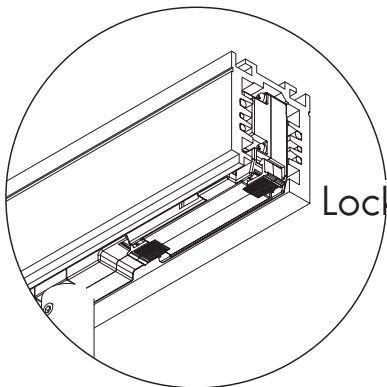
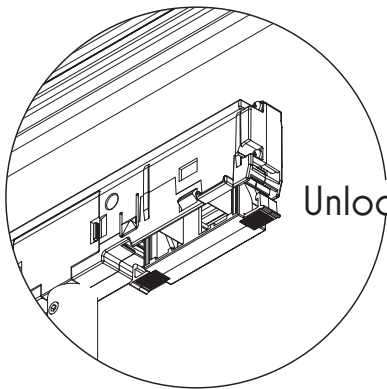
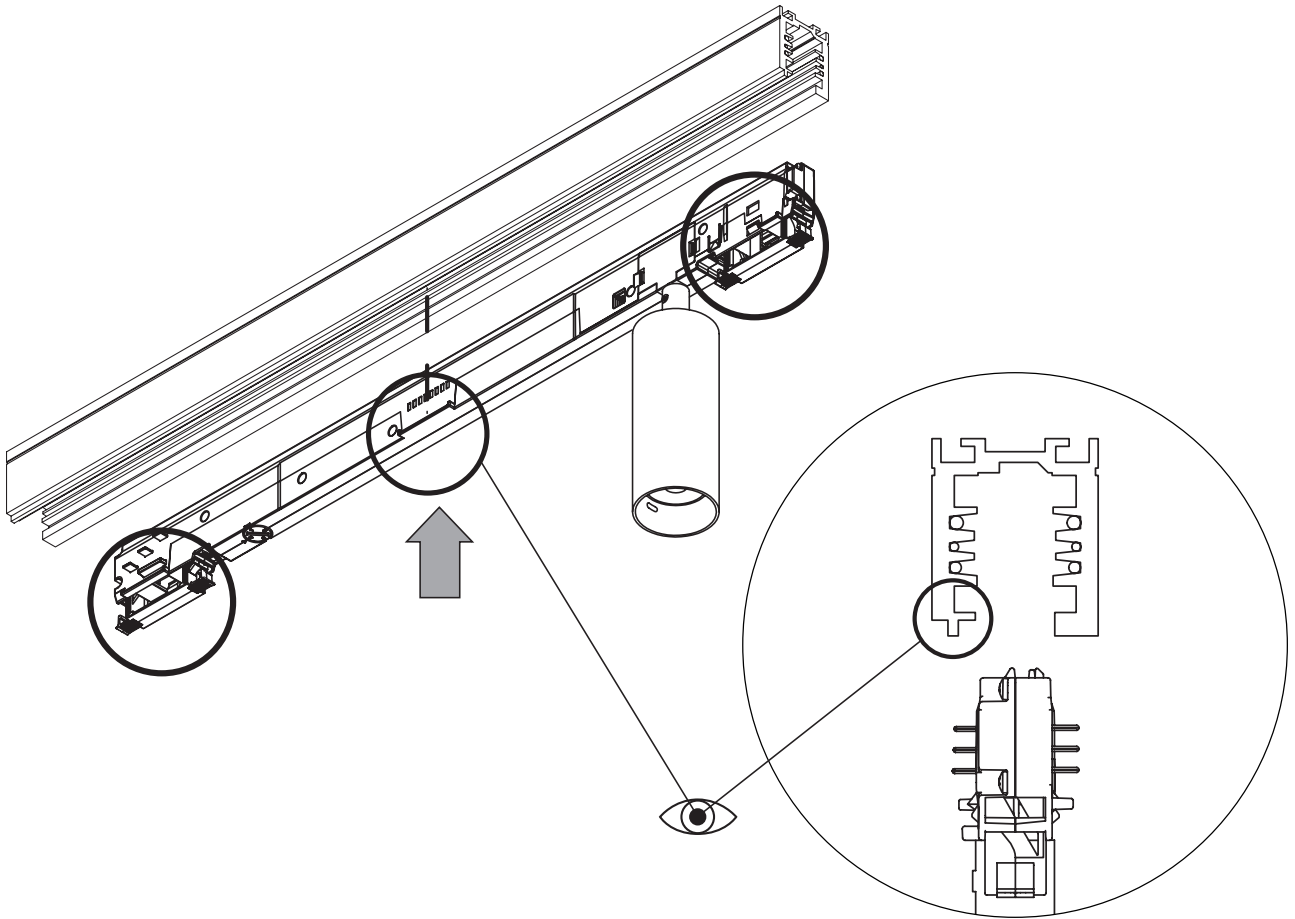
Occular Adjustment



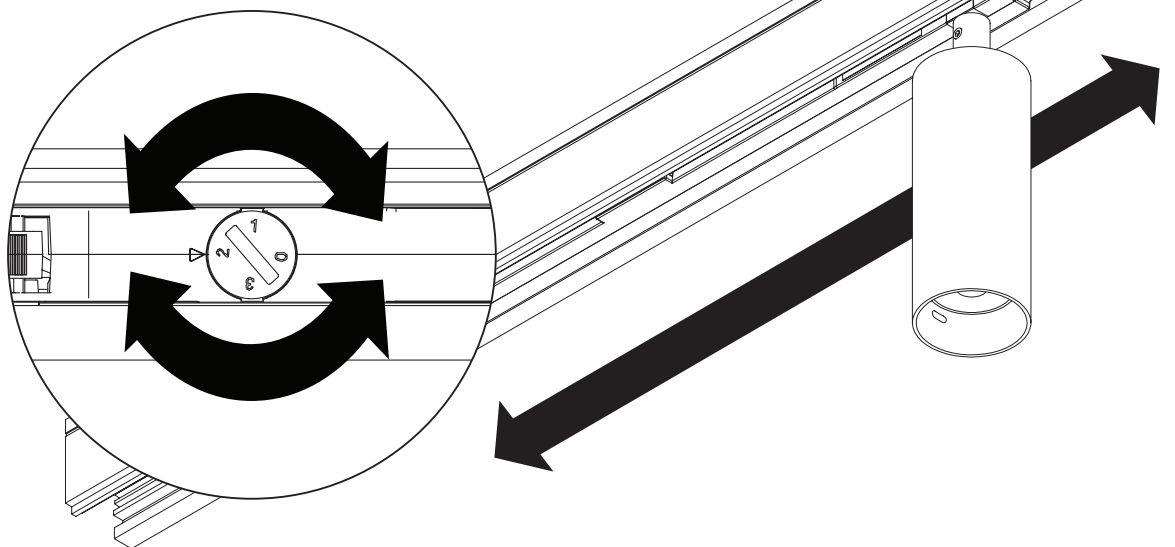
Lens changing



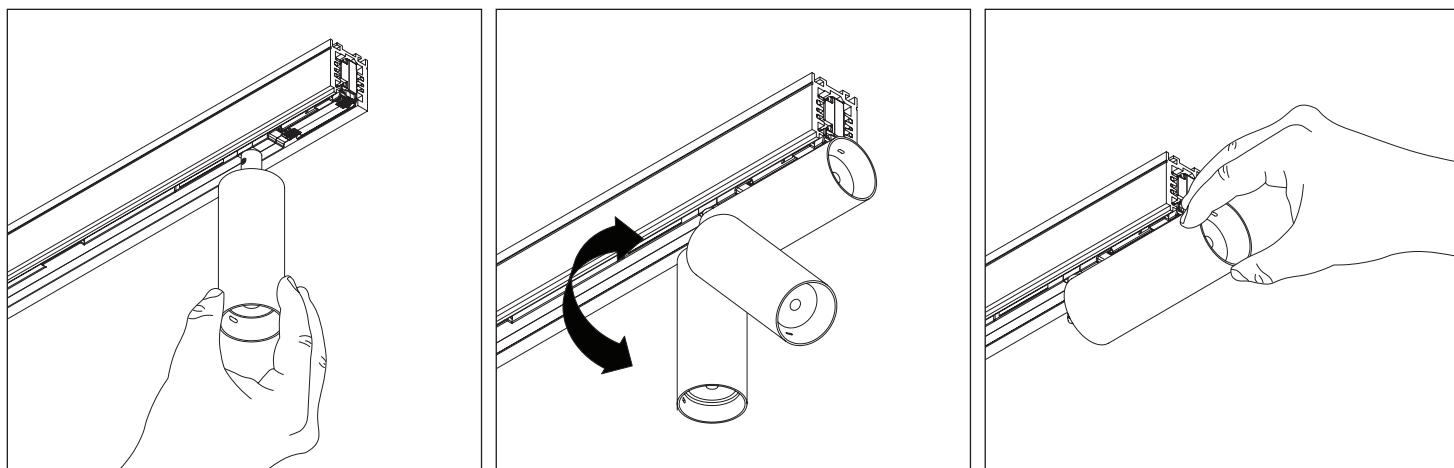
DECOTRACK FLUSH DRIVER INSTALLATION



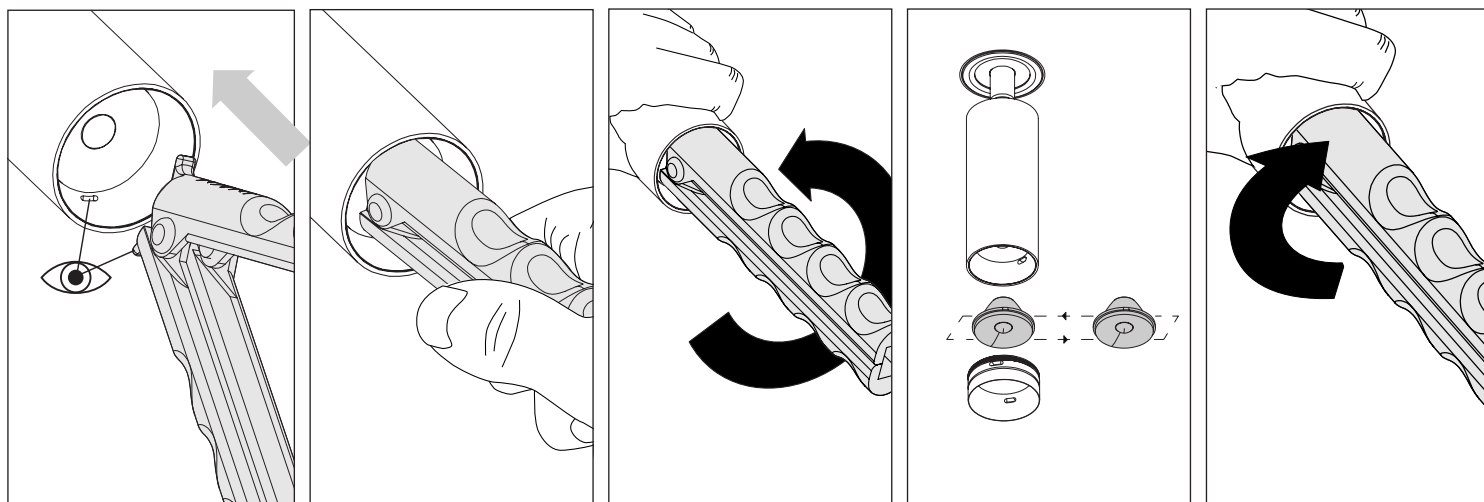
Select circuit
Using flathead
screwdriver or alike



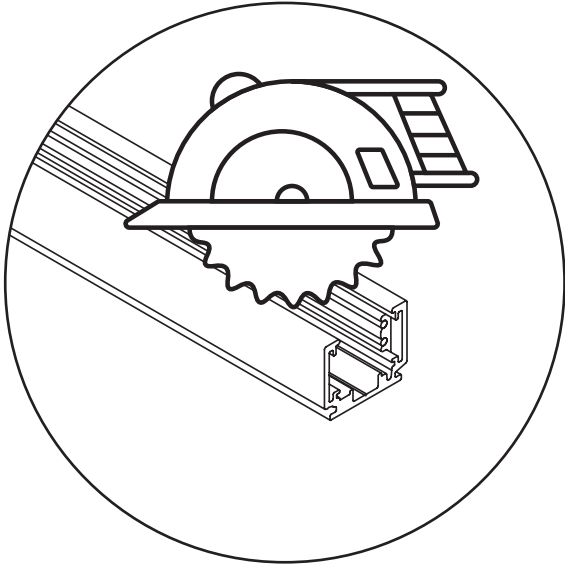
Eyeconic insertion and adjustment



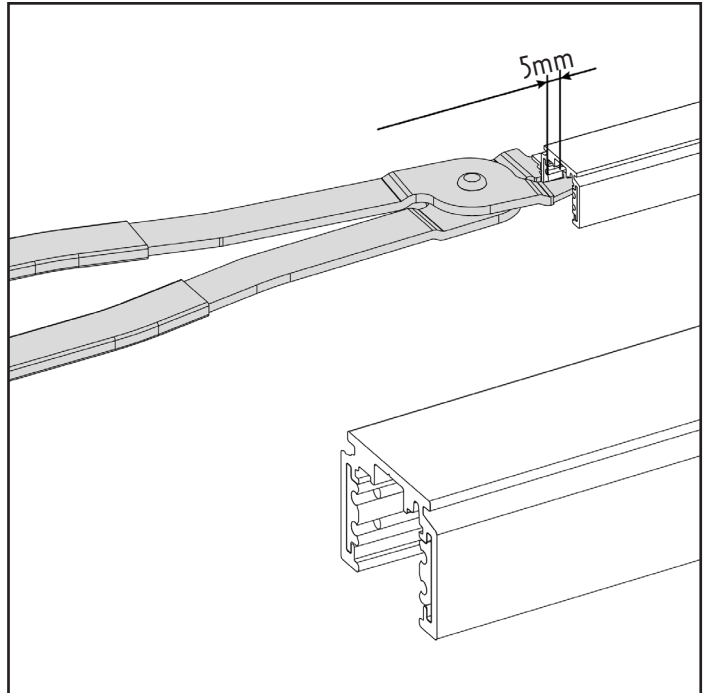
Lens changing



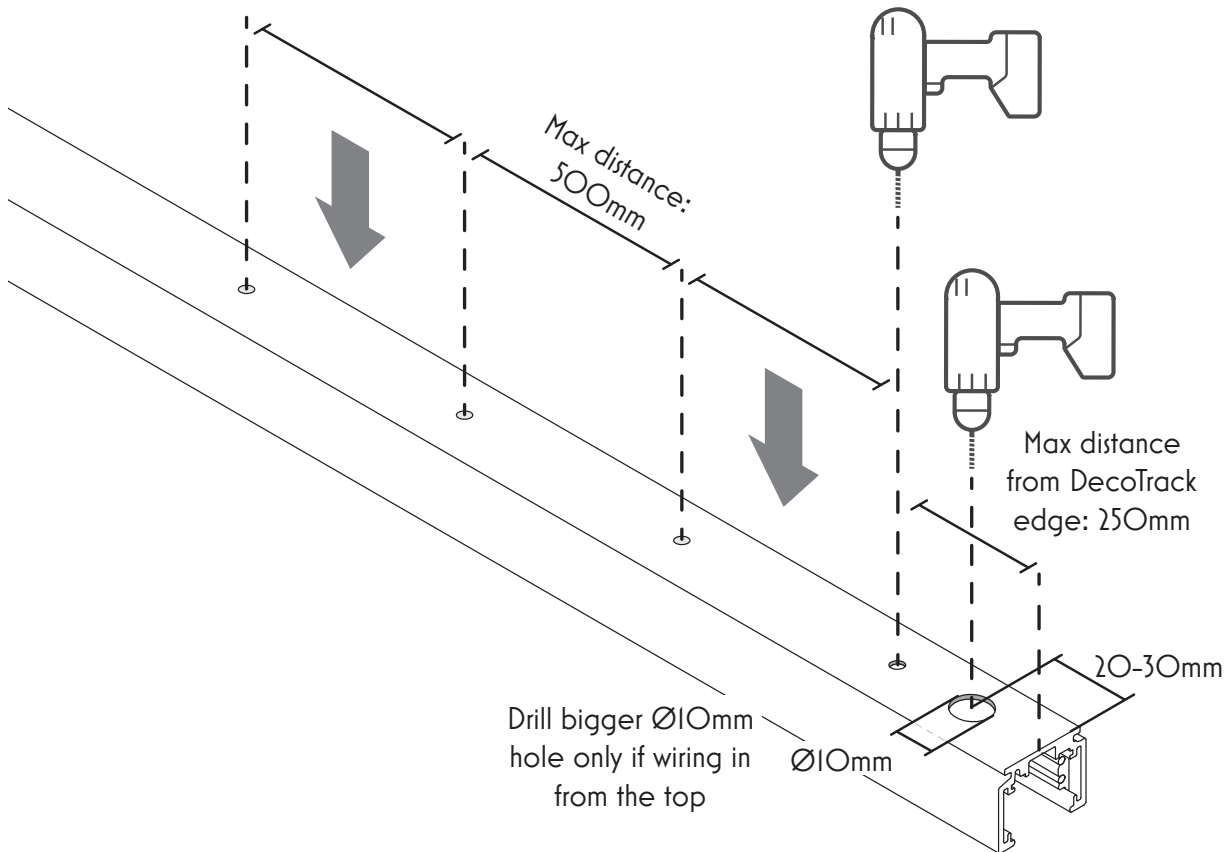
DECOTRACK MINI INSTALLATION



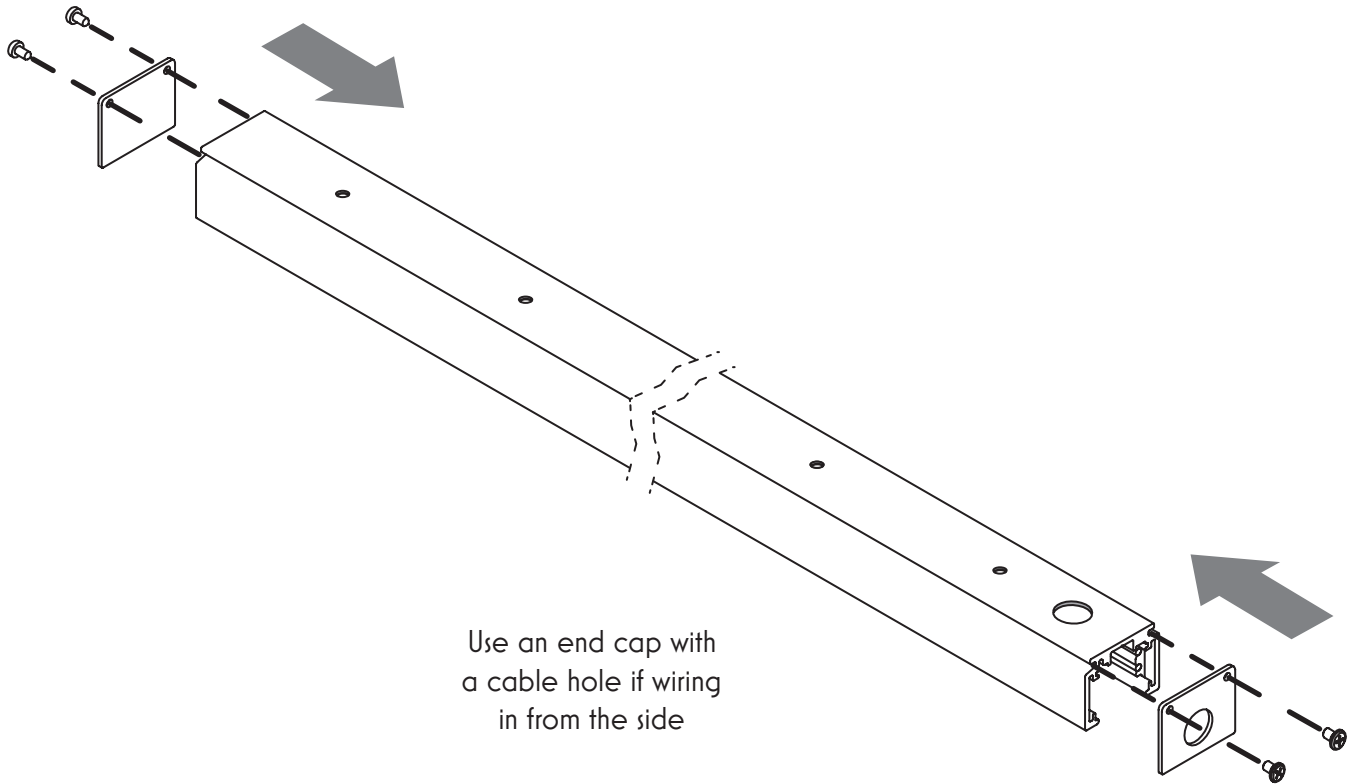
Cut DecoTrack to length if necessary



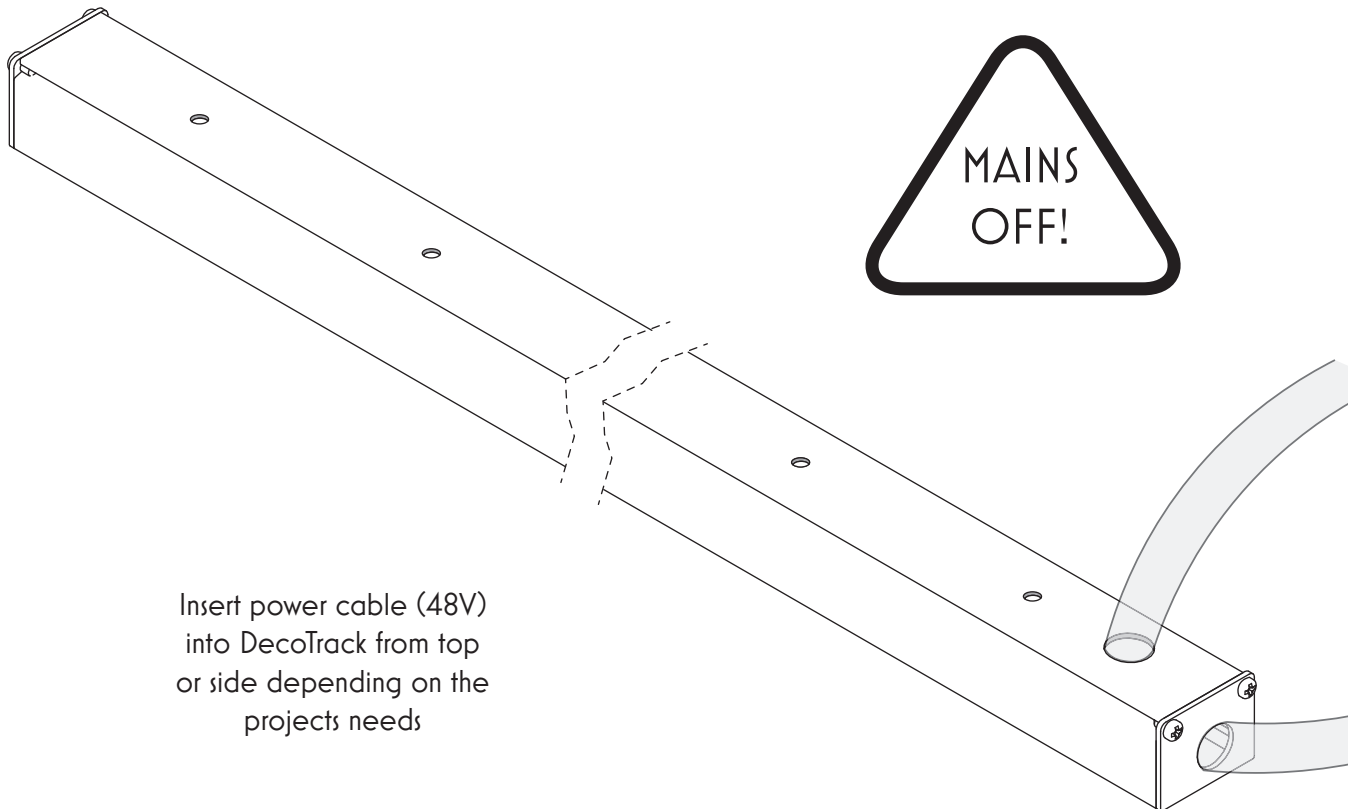
IF CUTTING, FOLLOW ABOVE INSTRUCTIONS TO TAKE 5MM OFF RAILS

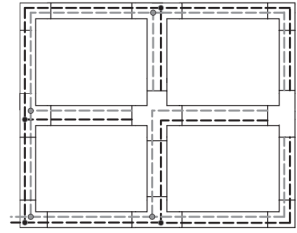
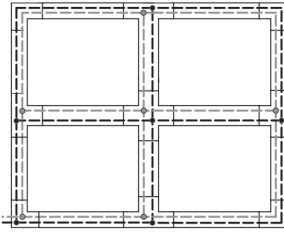


ADDING END CAPS

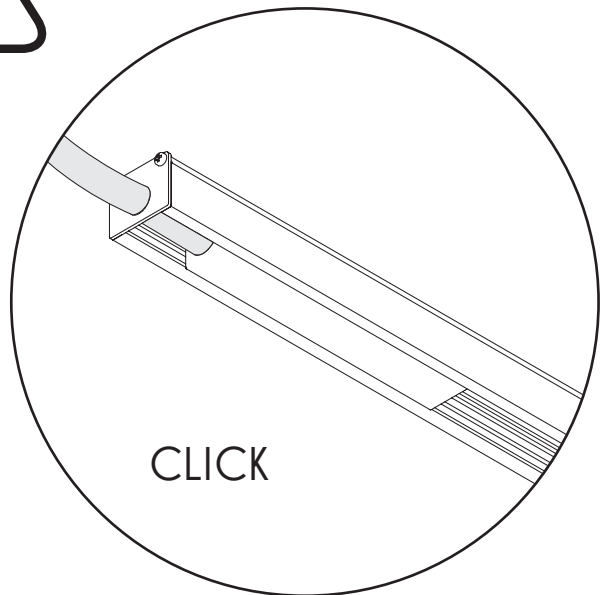
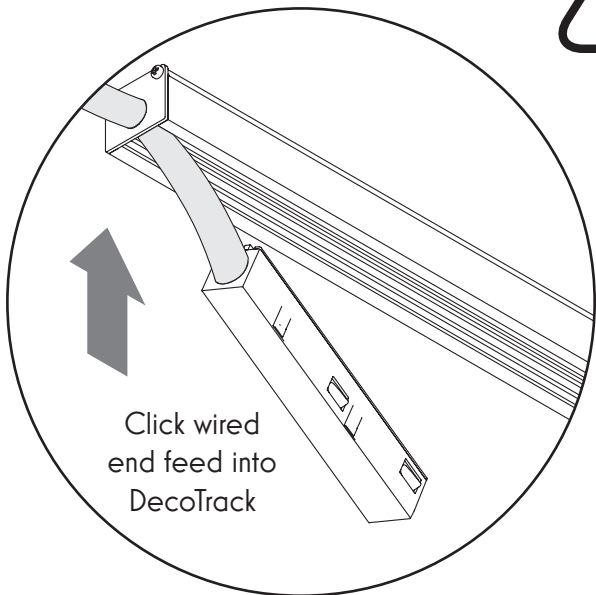


INSERTING MAINS CABLE



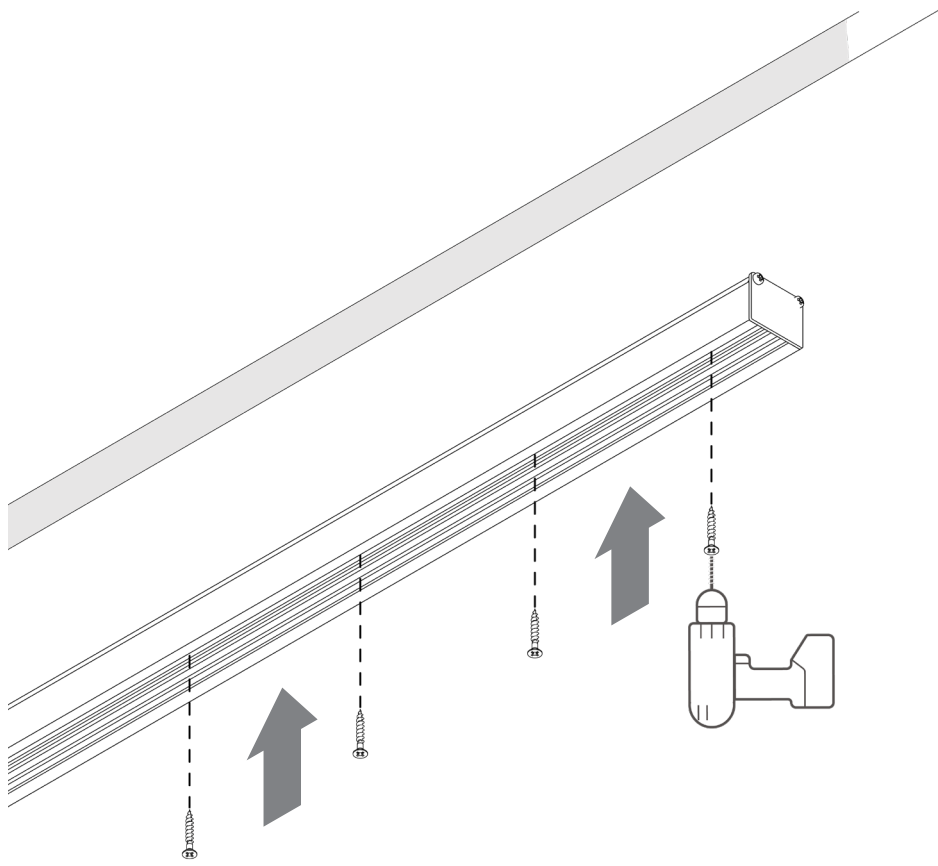


REMOVING CAP	
SIDE CABLE INSERT	
TOP CABLE INSERT	

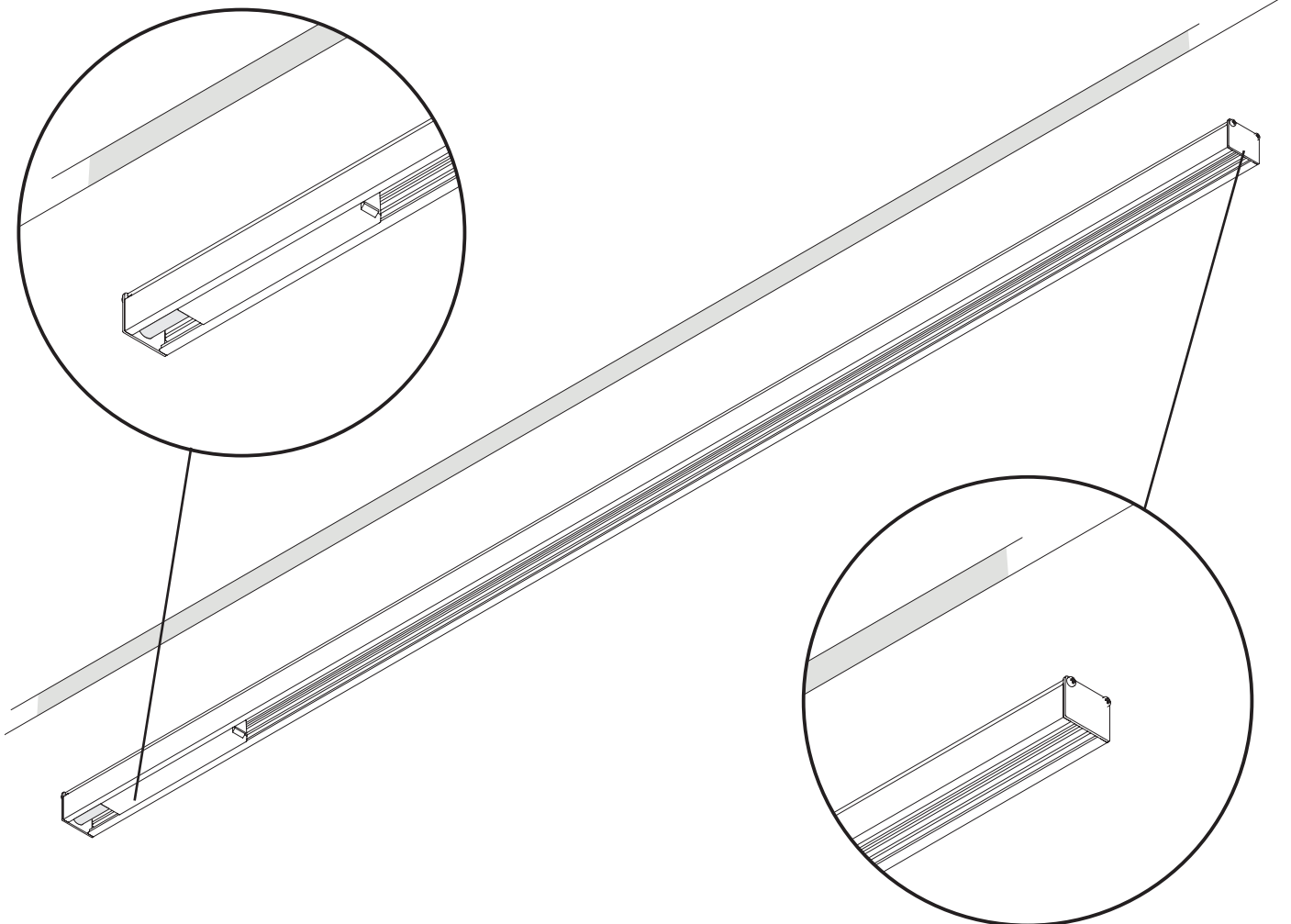




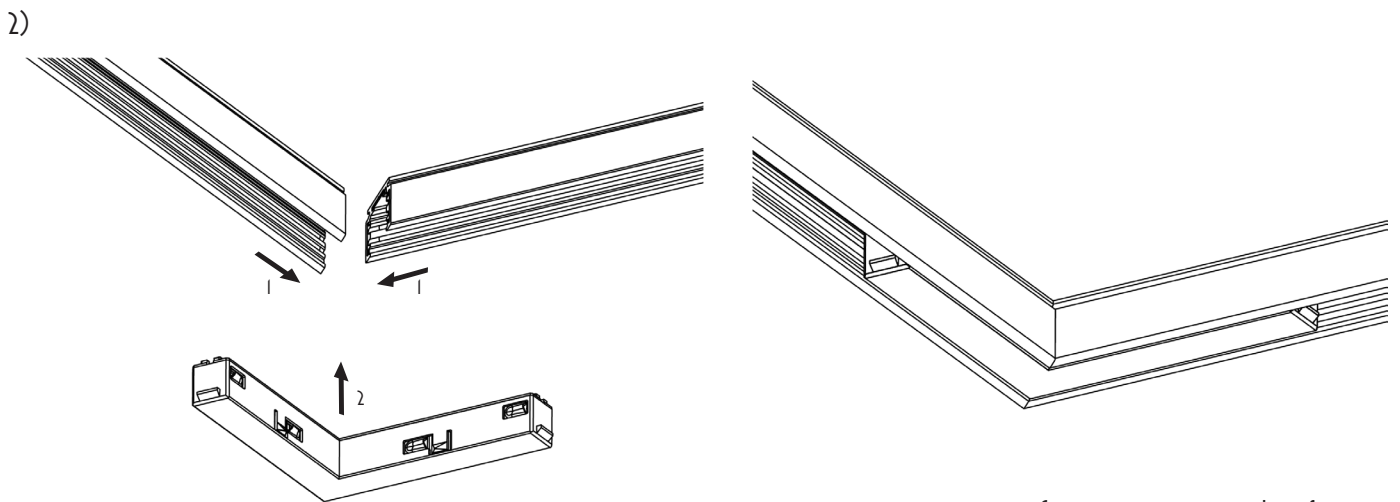
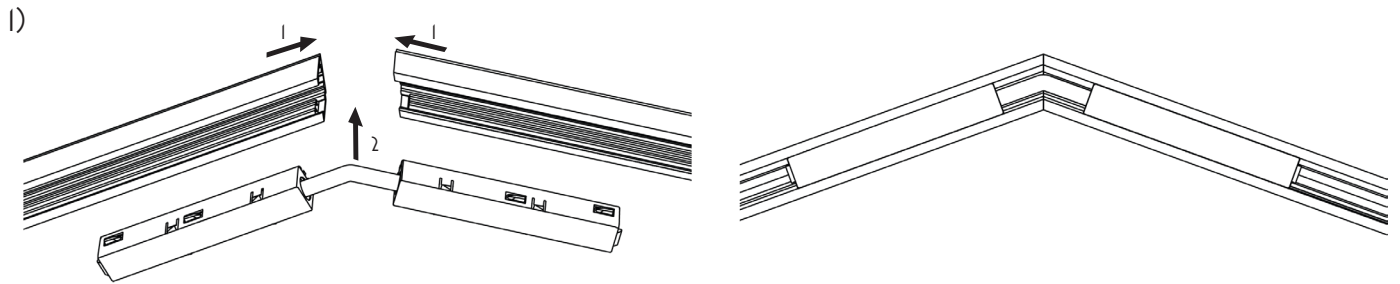
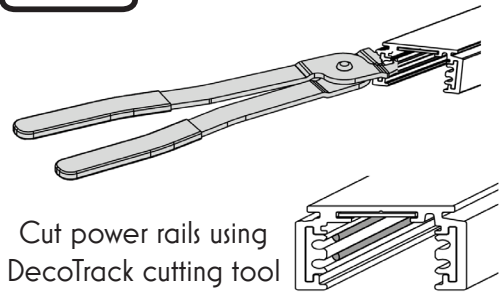
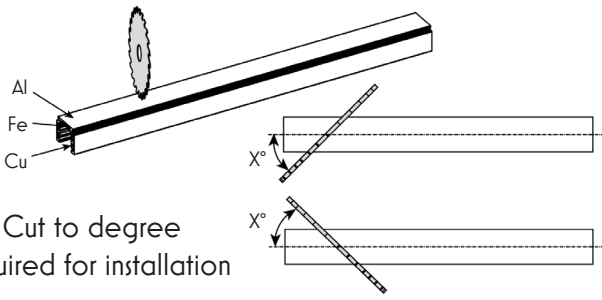
DO NOT TOUCH OR INSERT ANYTHING EXCEPT THE DRIVER INTO DECOTRACK ONCE POWER IS CONNECTED!



Screw low profile screws through pilot holes into desired DecoTrack location



DECOTRACK SURFACE CUTTING FOR ACCESSORY GUIDE

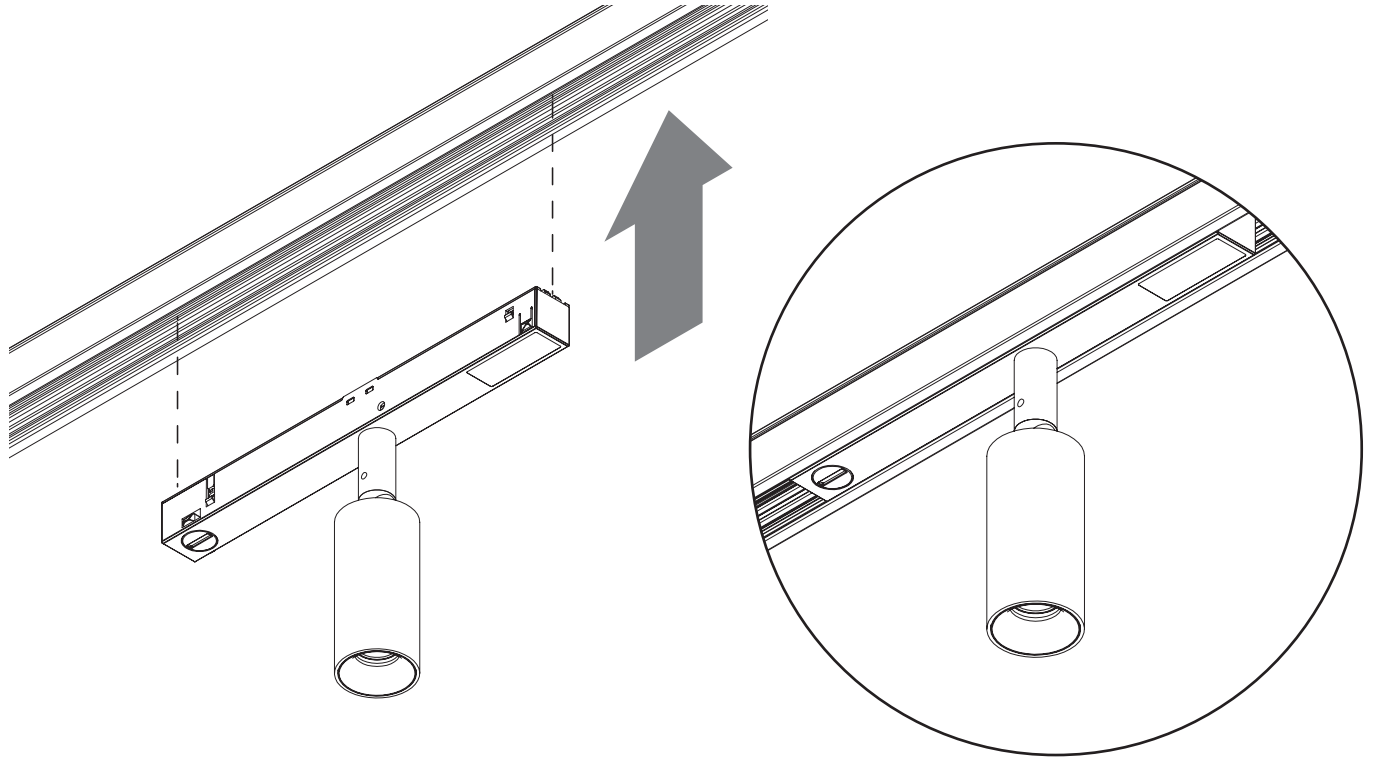


Ensure accessory connector clicks firmly into place

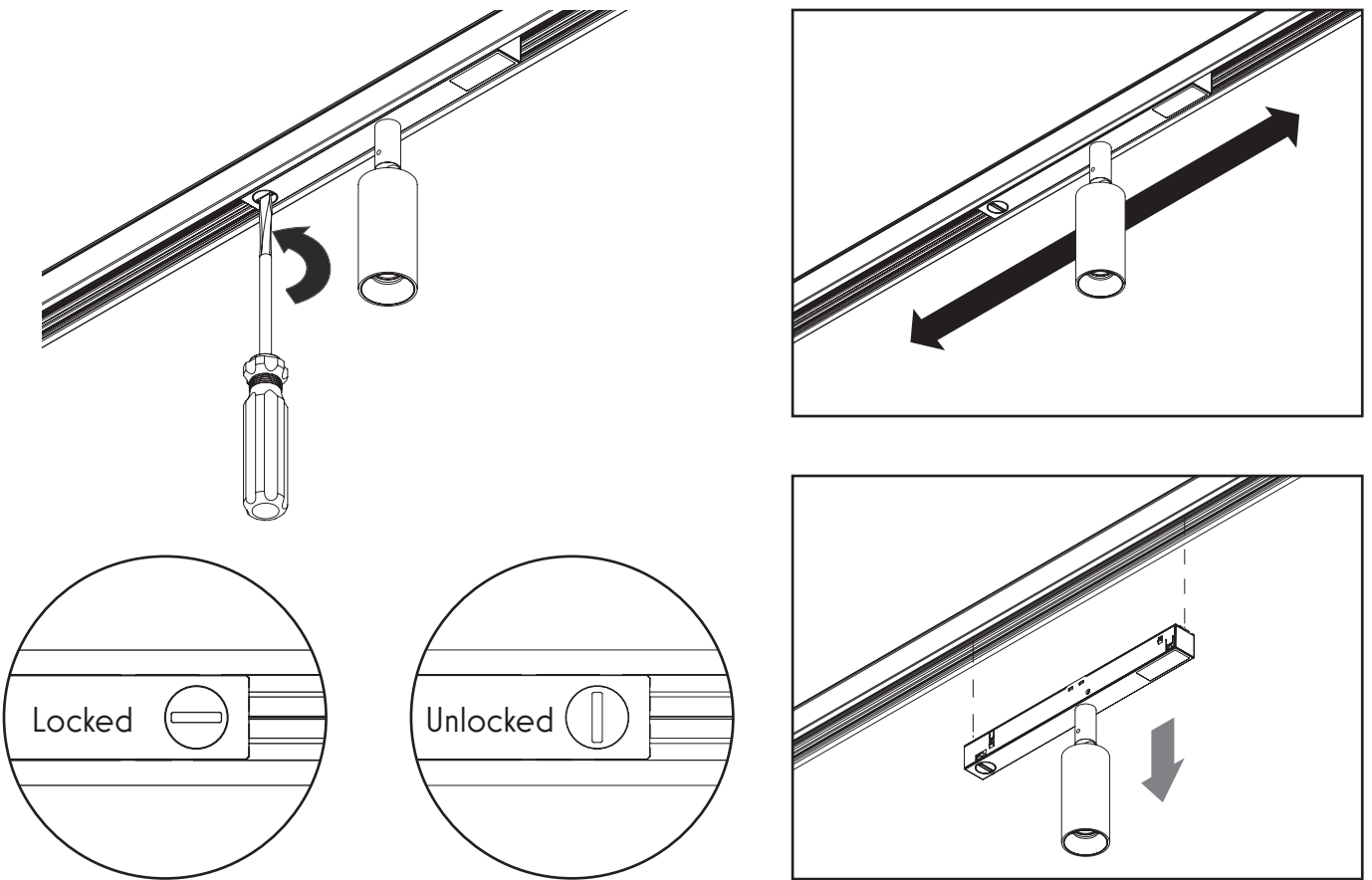
Same process applies for:
TRA-MINI-LV-ADJ-CORNER
TRA-MINI-LV-STD-CORNER
TRA-MINI-LV-CROSS
TRA-MINI-LV-STD-TEE

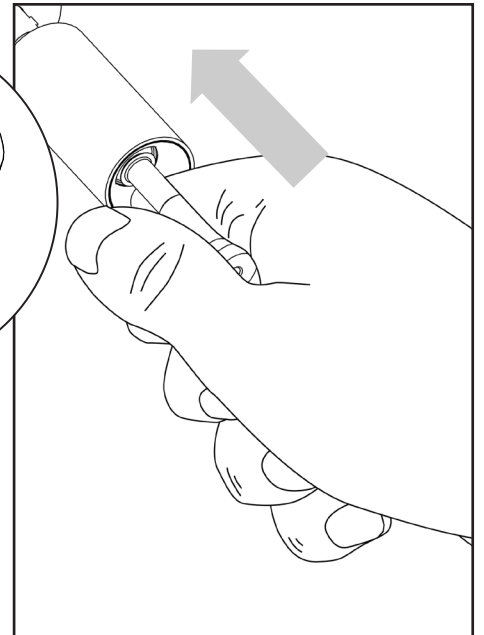
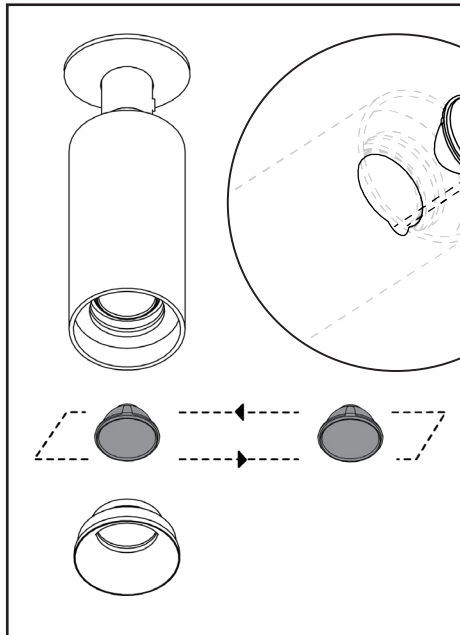
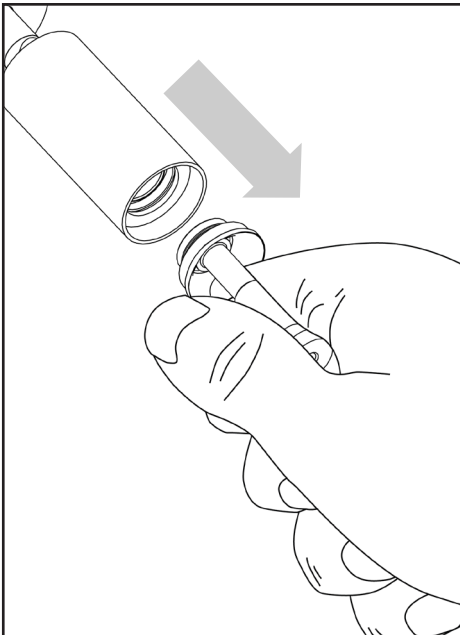
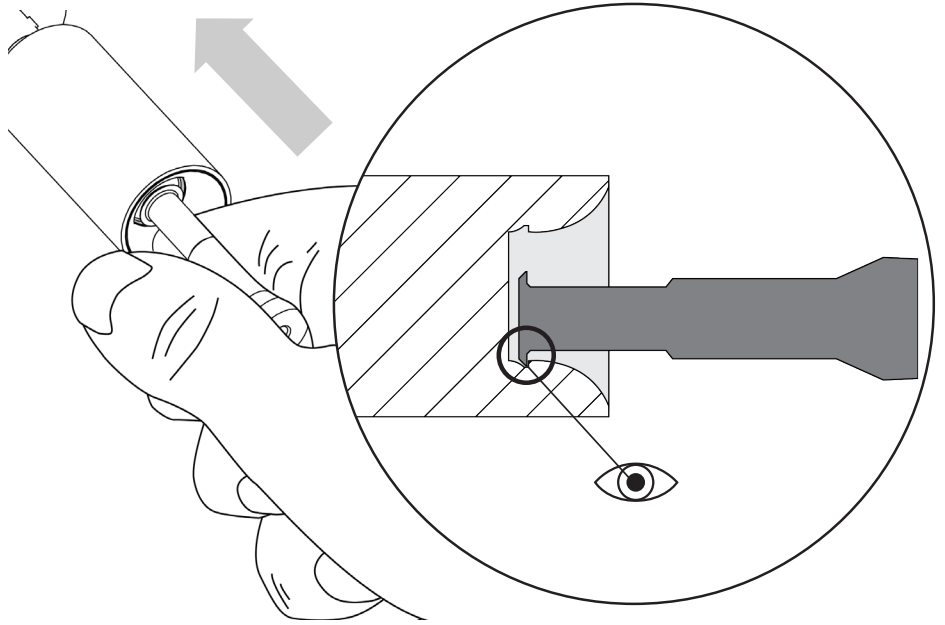
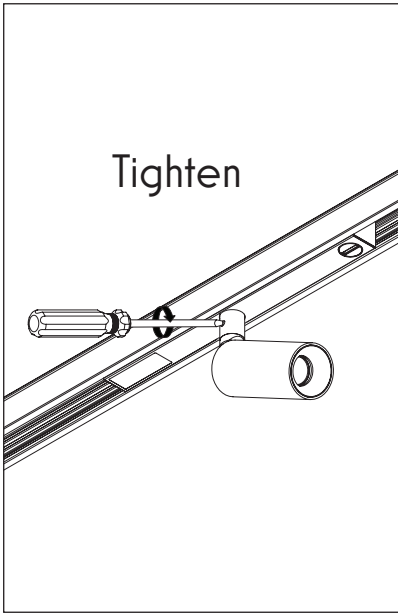
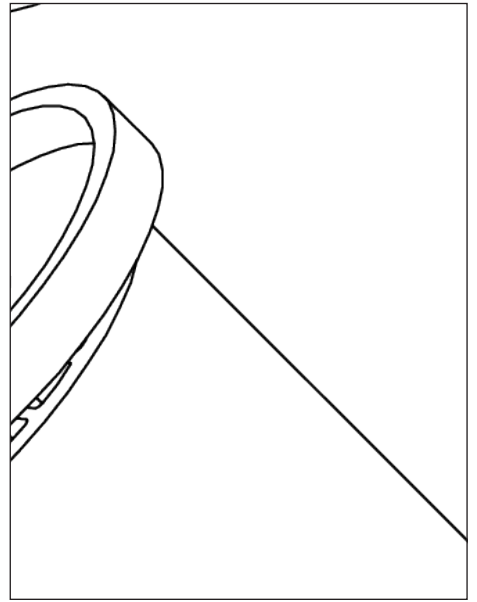
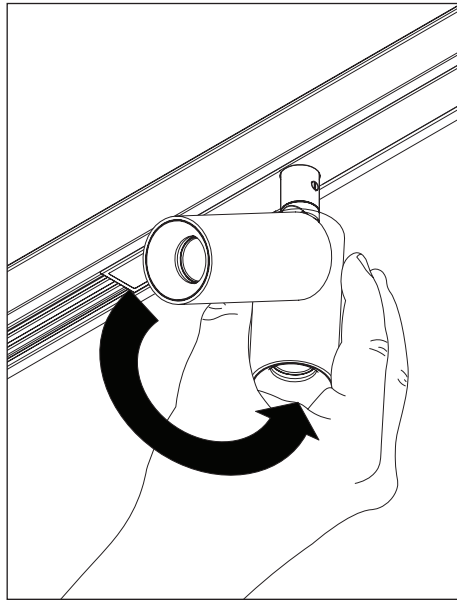
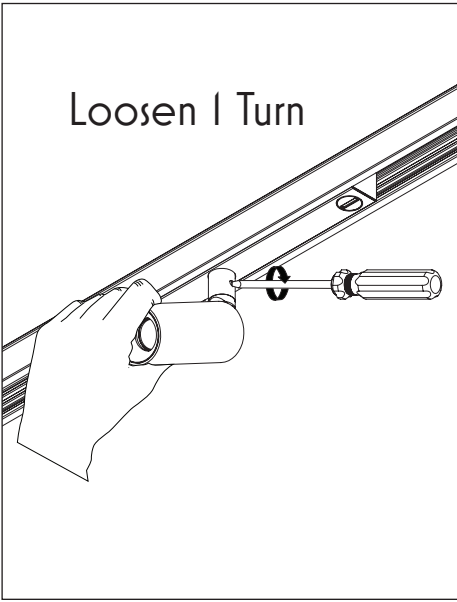
DECOTRACK MINI DRIVER INSTALLATION

CLIPPING TRACKS TOGETHER



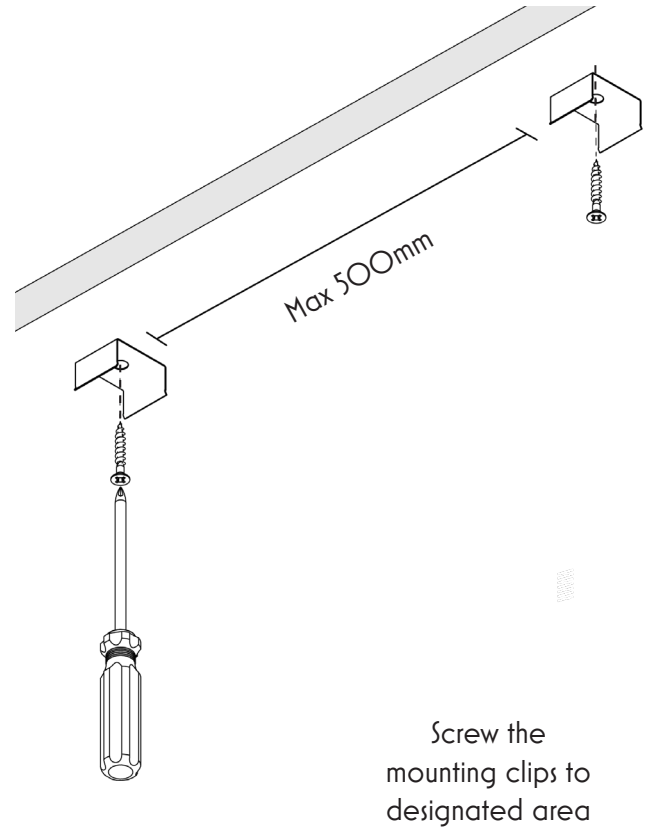
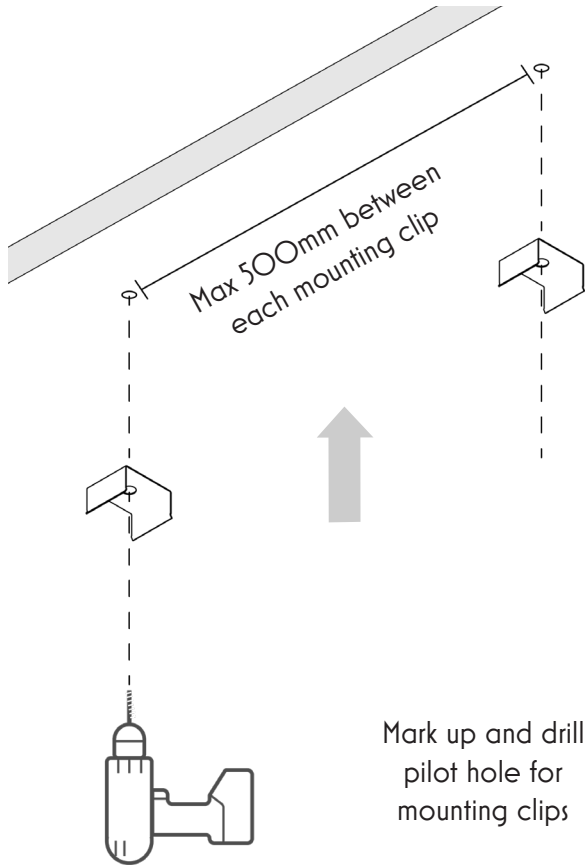
LOCKING MECHANISM



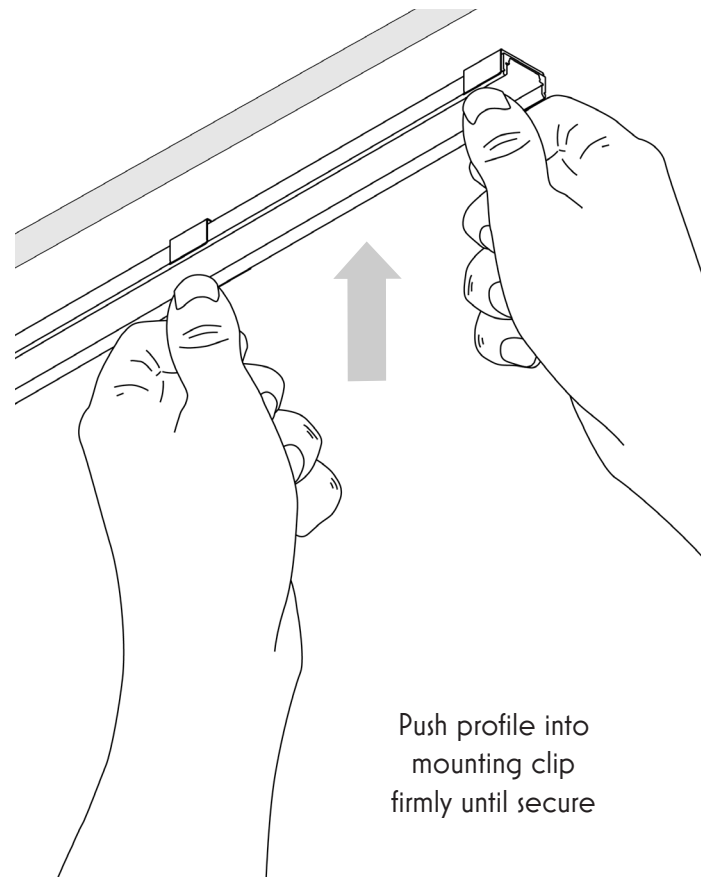
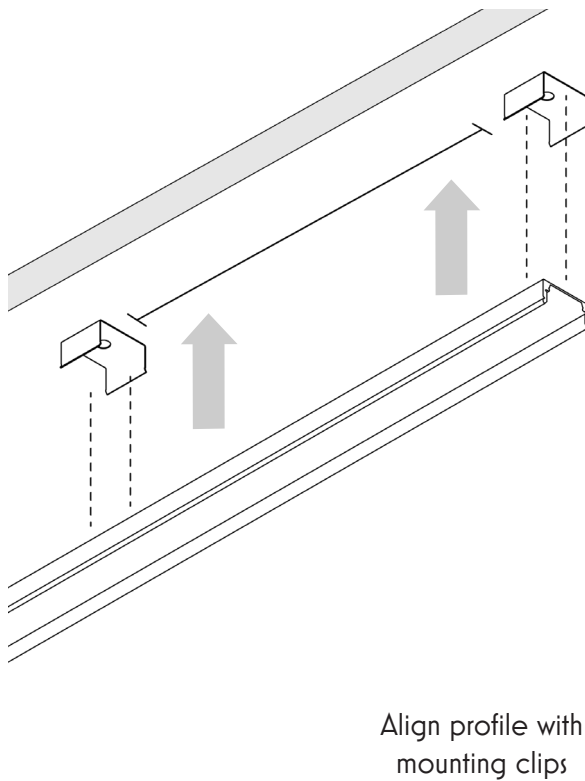


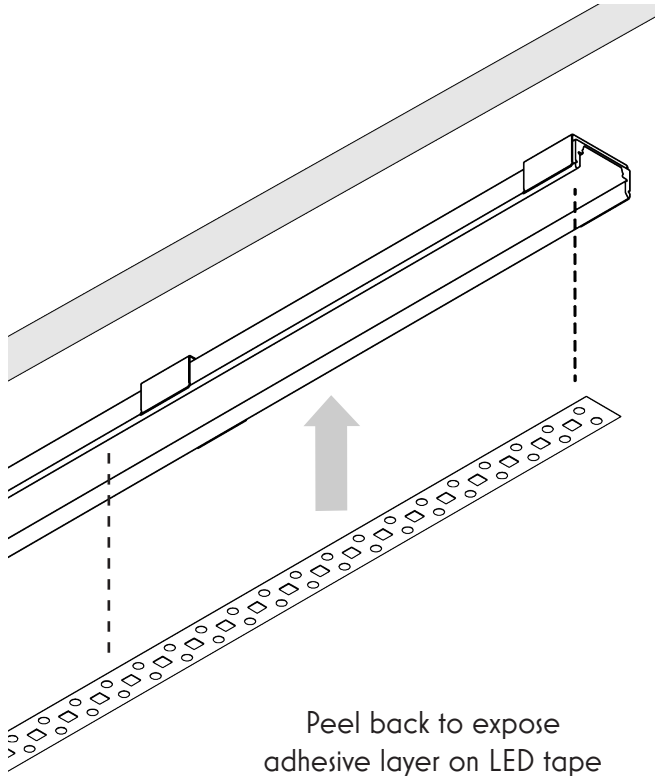
DECOLINE SURFACE INSTALLATION

MARKING AND ATTACHING MOUNTING CLIPS

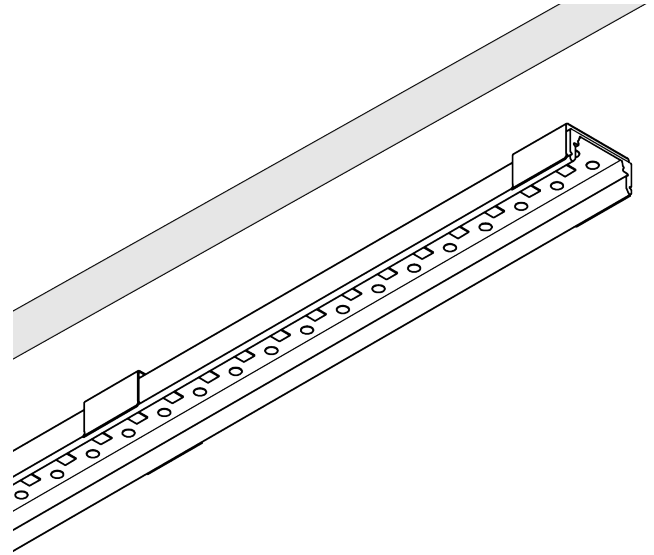


CLIPPING PROFILE INTO MOUNTING CLIP

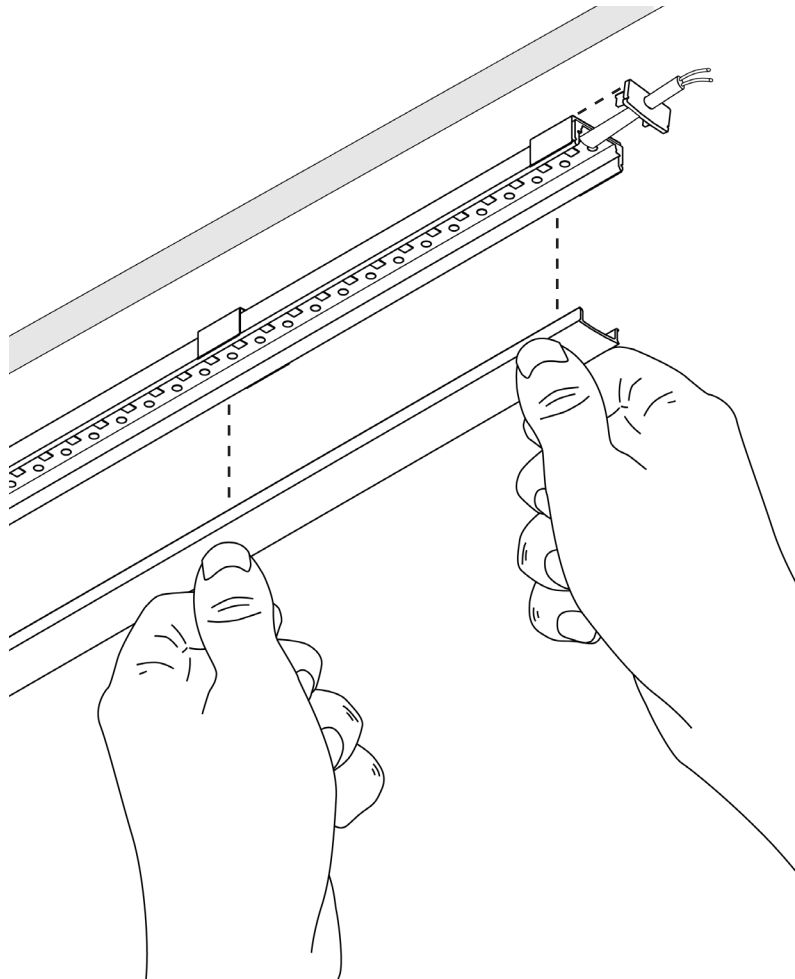




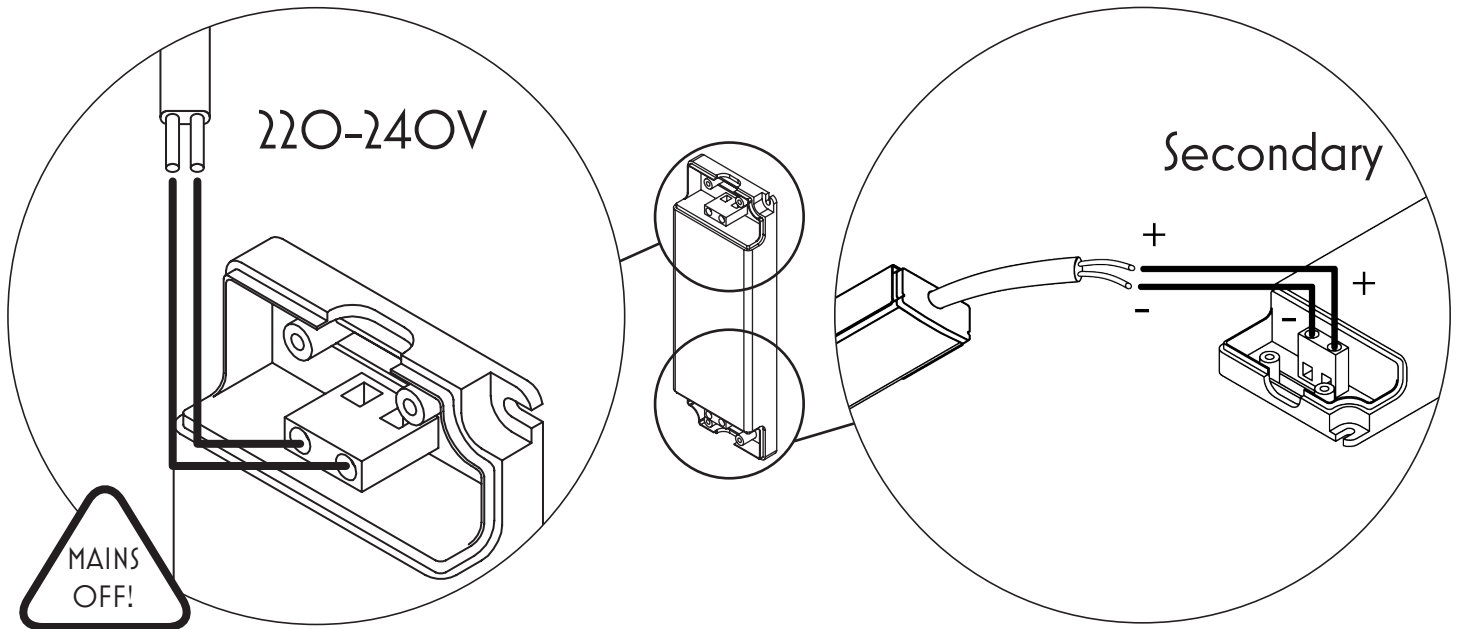
Peel back to expose adhesive layer on LED tape and align with profile



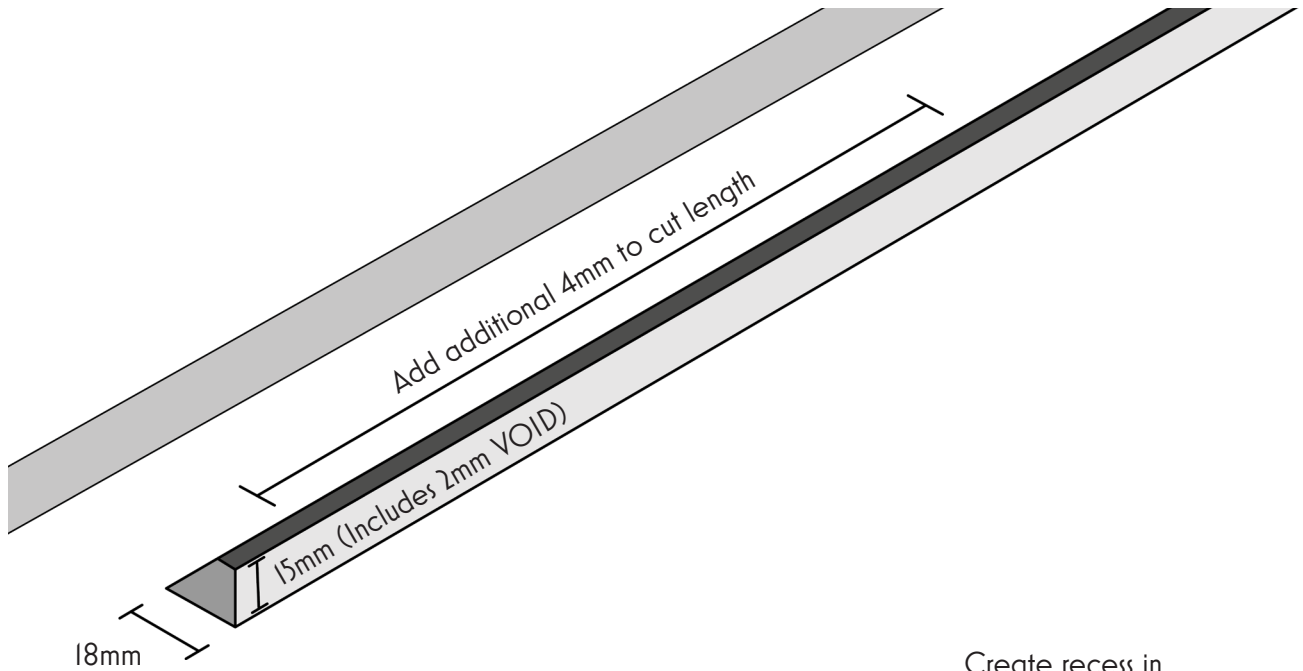
Stick the LED tape strip into the profile



- 1) Push Diffuser into the profile
- 2) Pull cable through hole in the end cap
- 3) Push End cap into end of profile

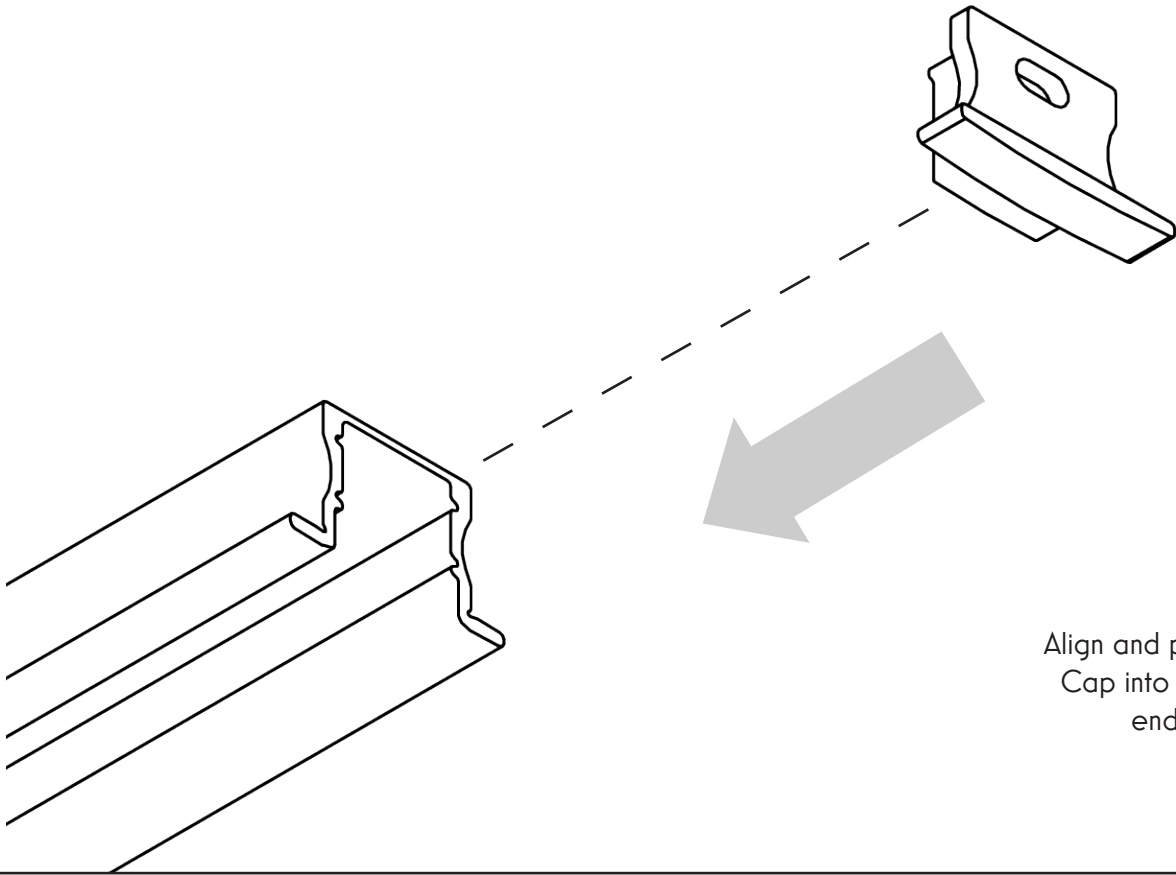


DECOLINE RECESSED INSTALLATION



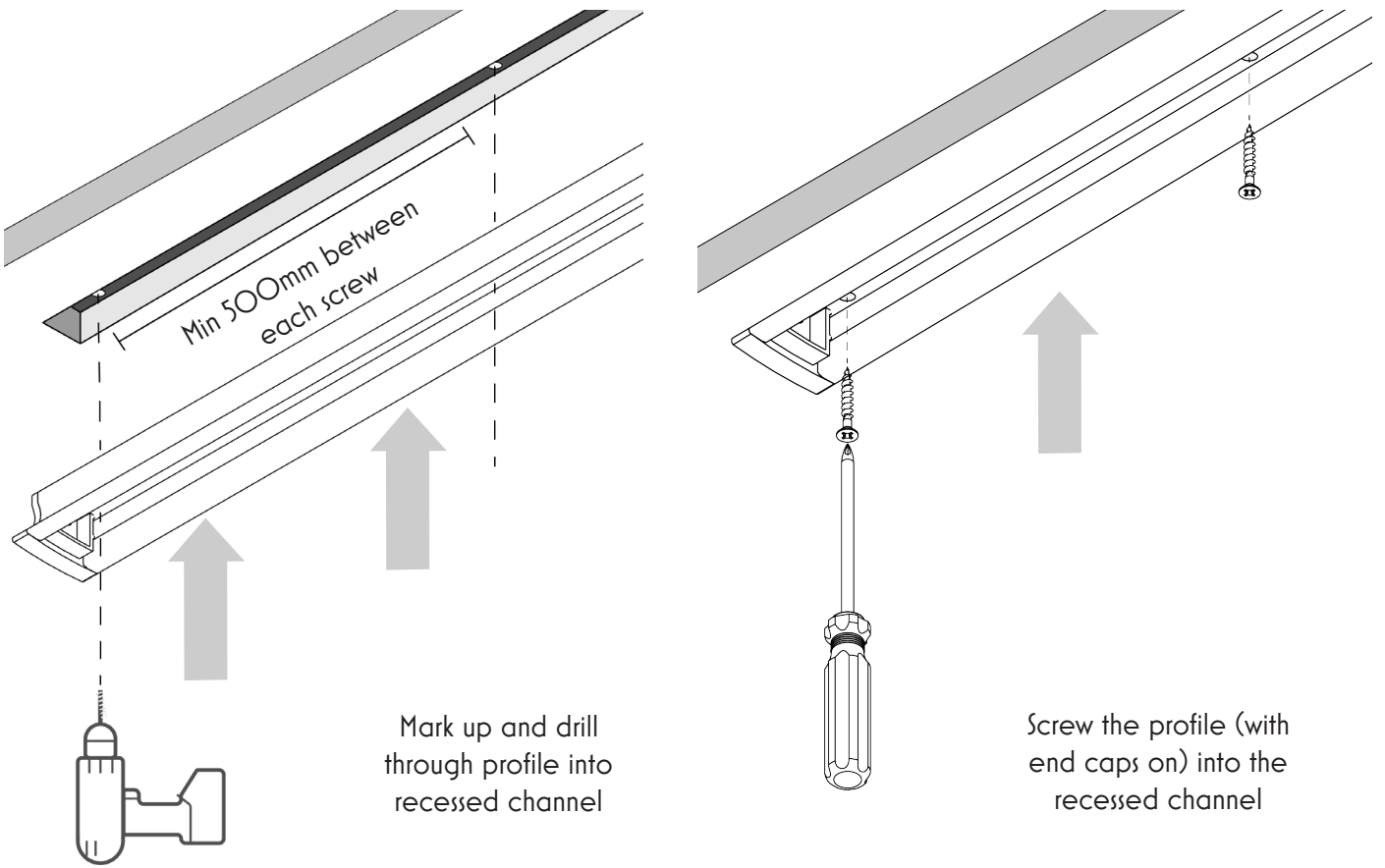
Create recess in designated area following above instructions

INSTALLING END CAP



Align and push End Cap into profile ends

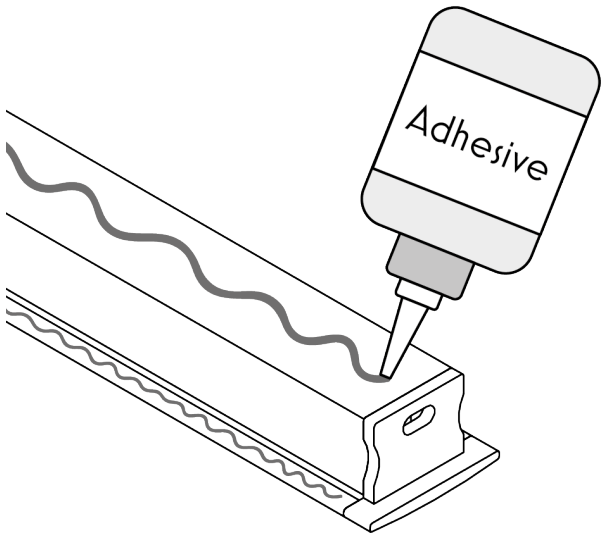
INSTALLING PROFILE - SCREWS



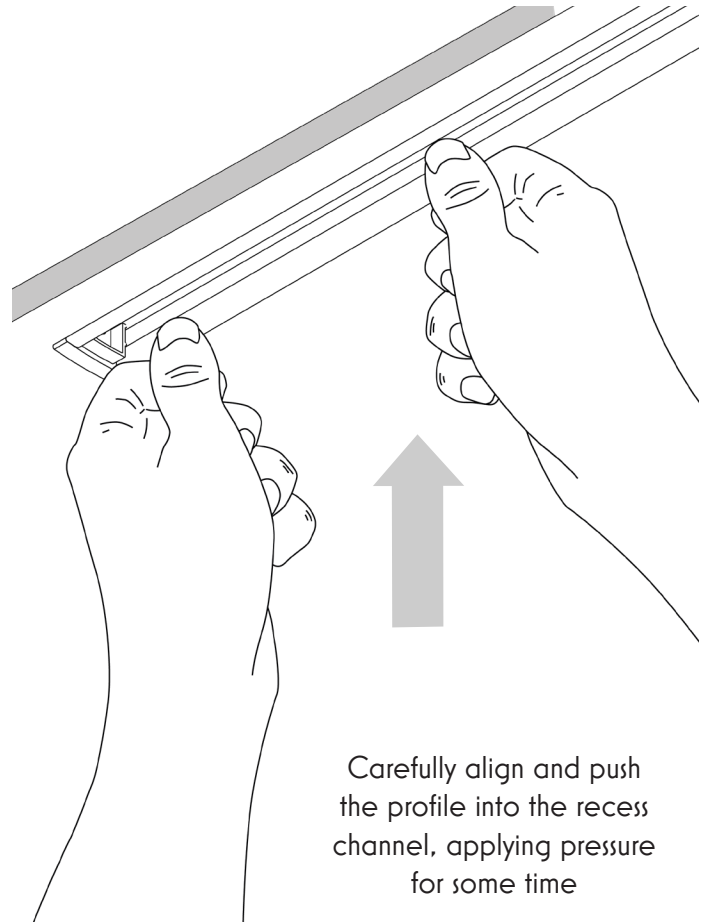
Min 500mm between each screw

Mark up and drill through profile into recessed channel

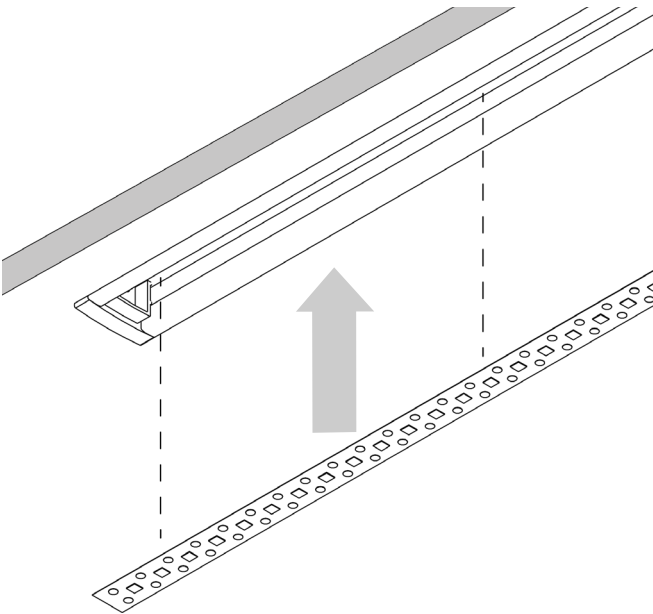
Screw the profile (with end caps on) into the recessed channel



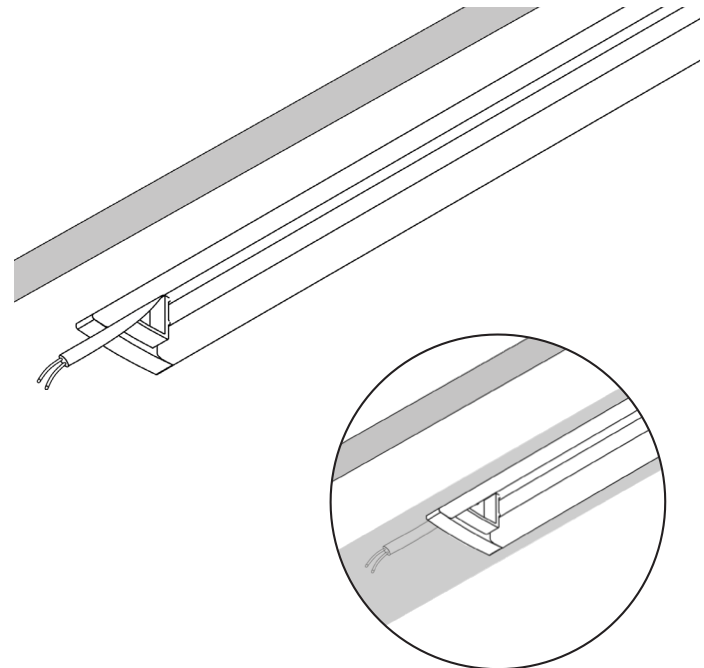
Apply a neat spread of adhesive along the profile



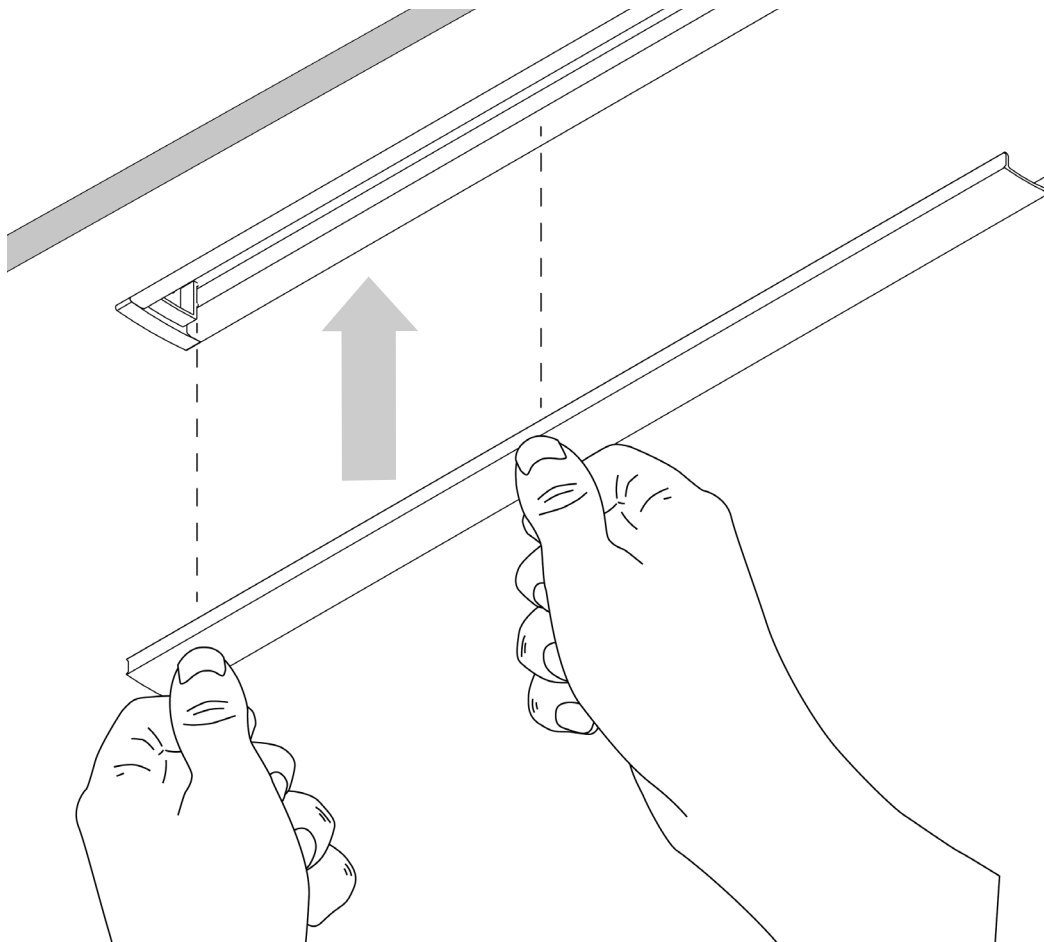
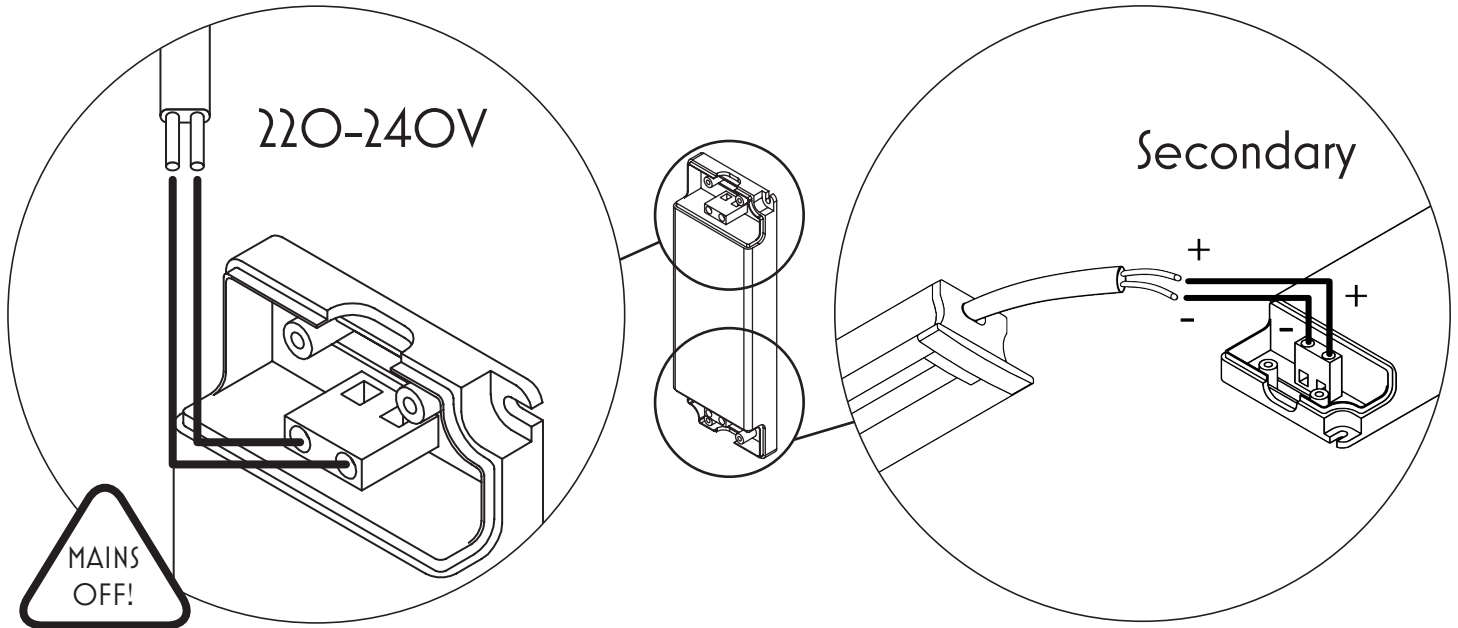
Carefully align and push the profile into the recess channel, applying pressure for some time



Peel back adhesive layer on LED tape and align with profile



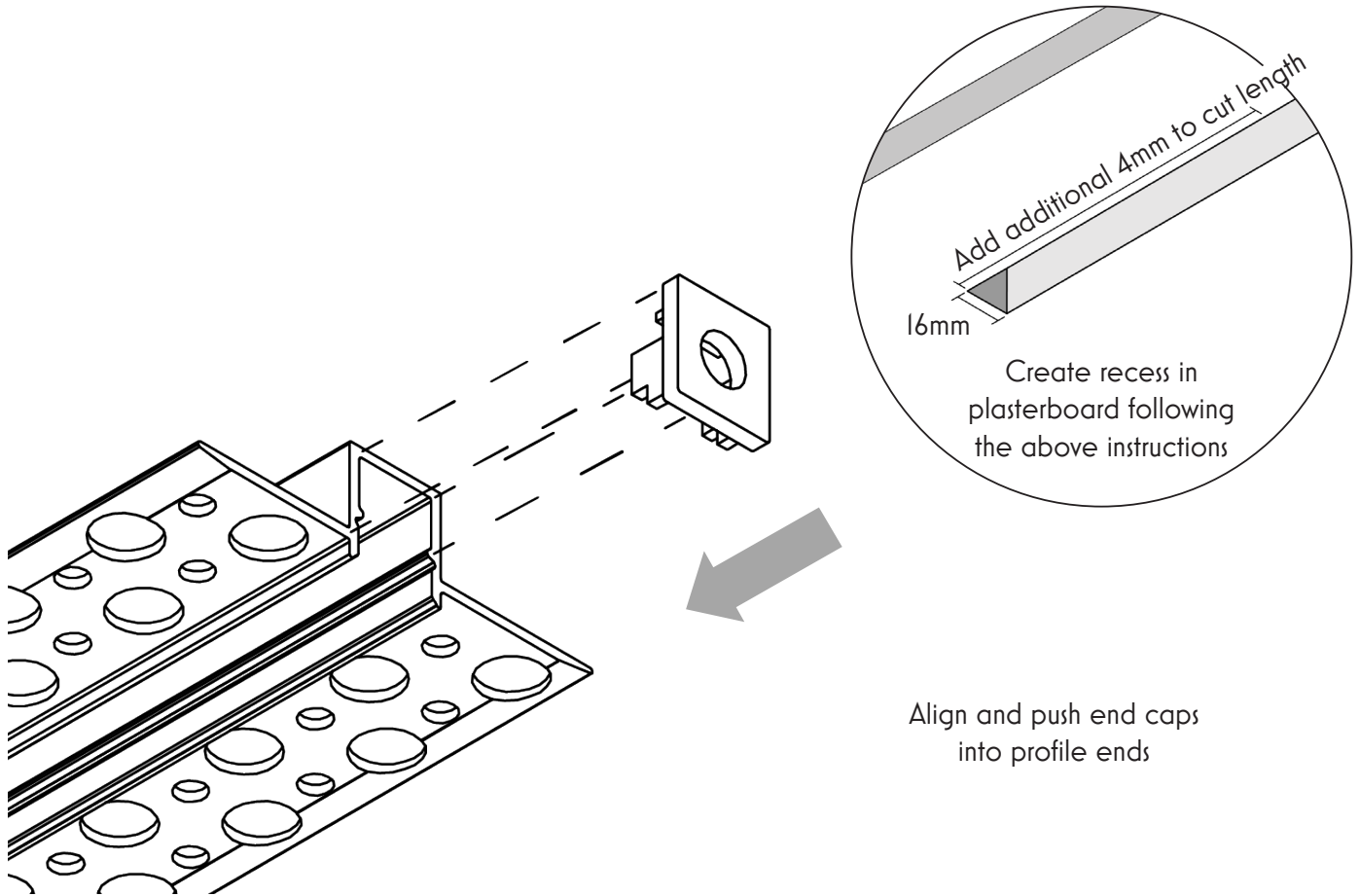
Stick the LED tape into the profile and feed the wire through the end cap



Push diffuser into profile

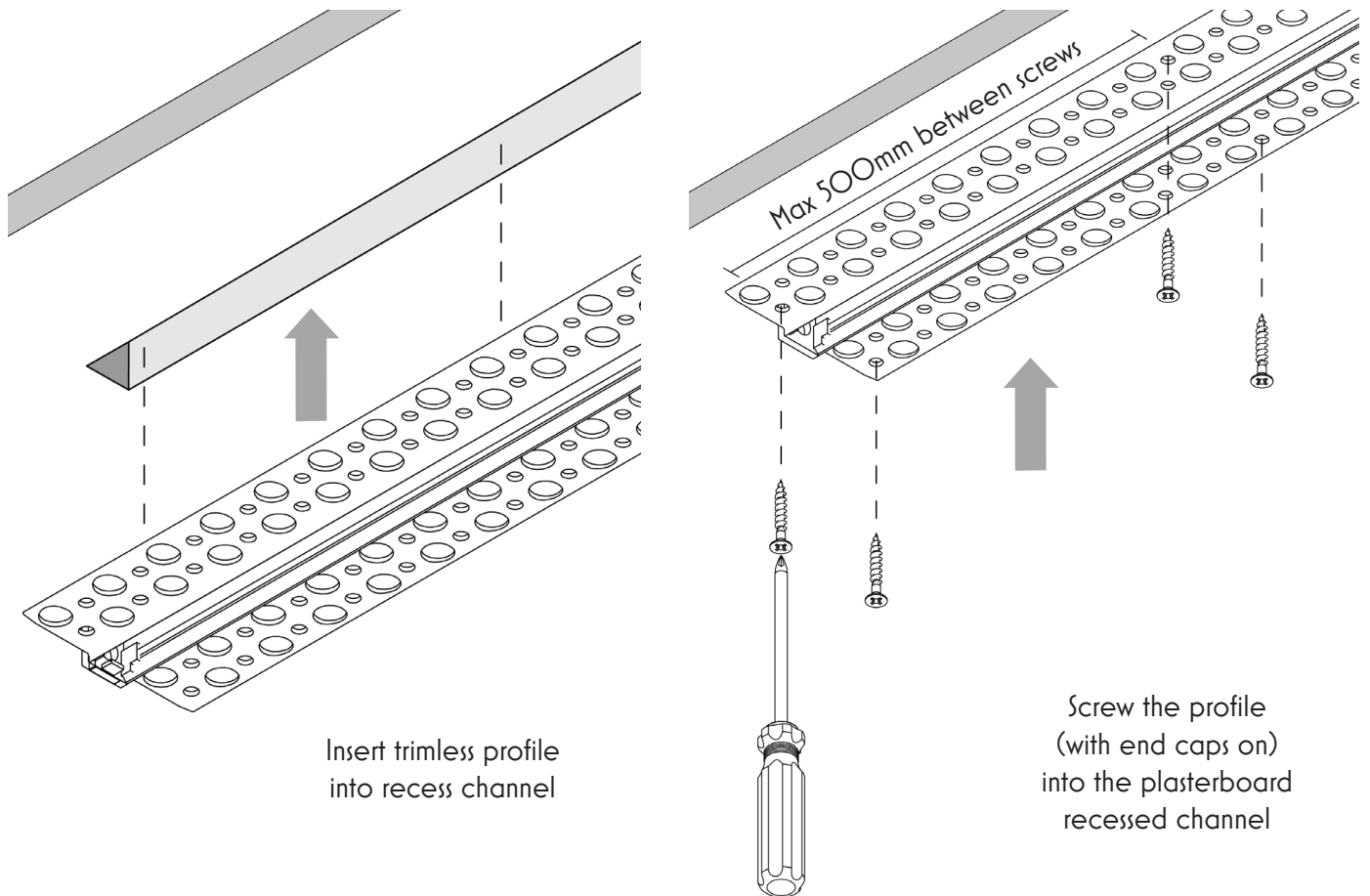
DECOLINE TRIMLESS INSTALLATION

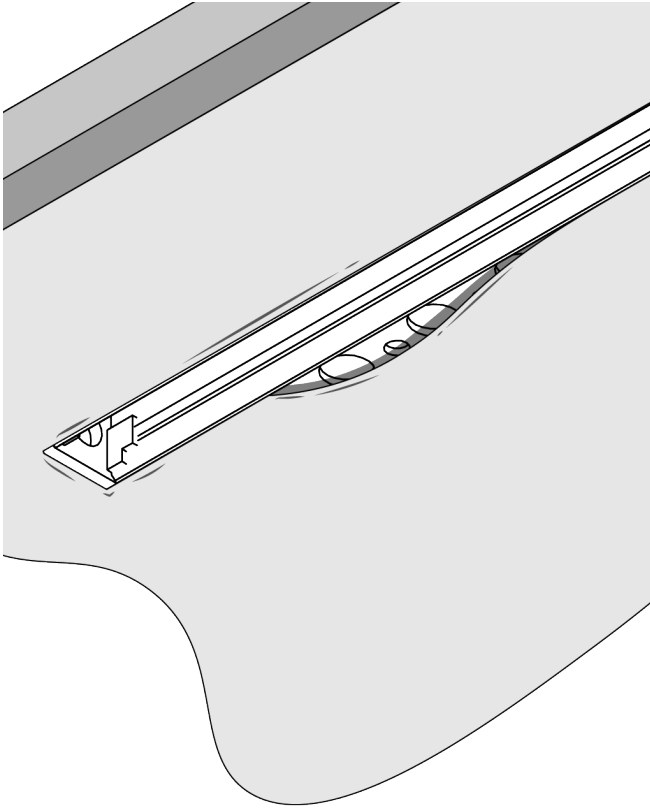
ATTACHING END CAPS TO PROFILE



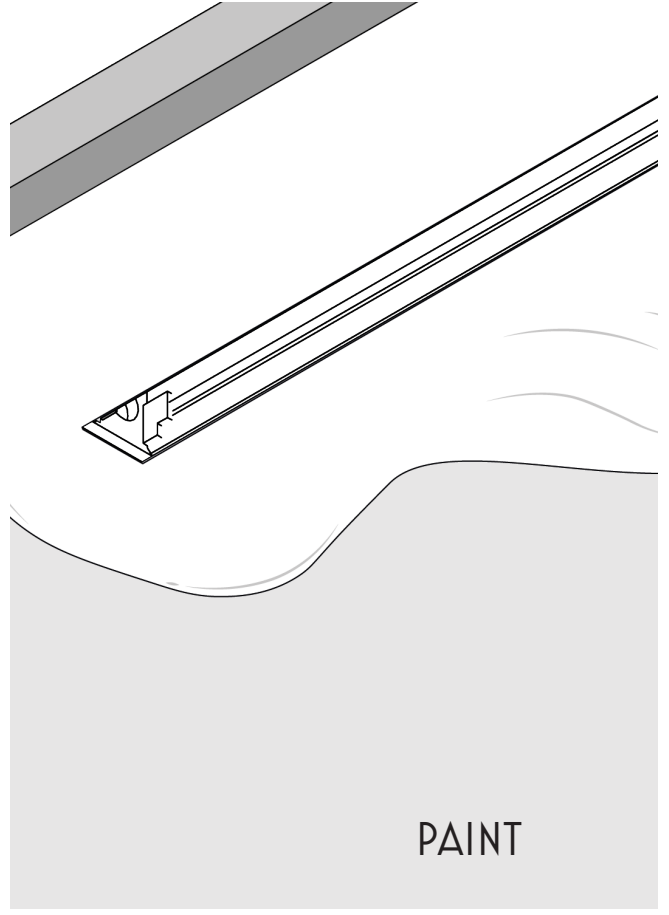
Align and push end caps into profile ends

INSERTING AND ATTACHING PROFILE TO PLASTERBOARD

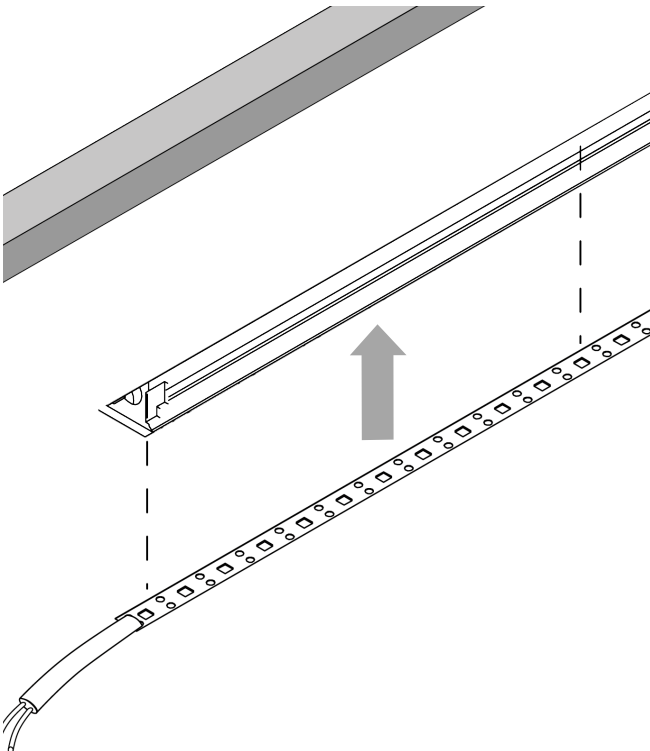




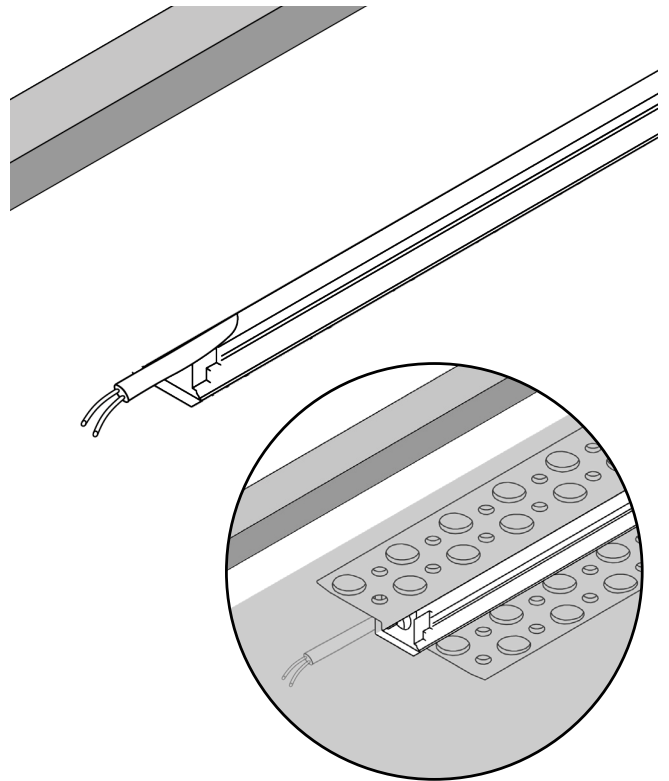
PLASTER



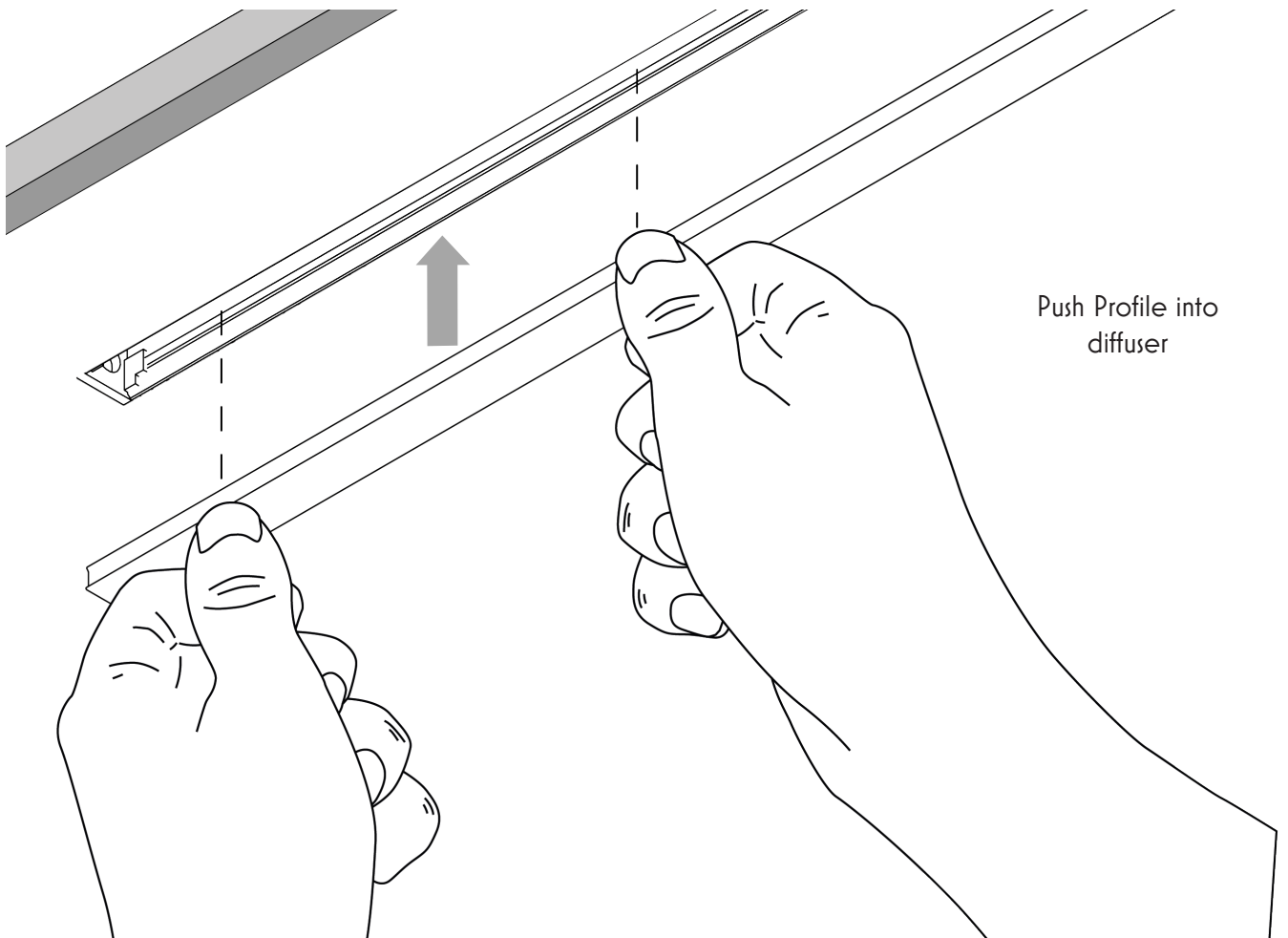
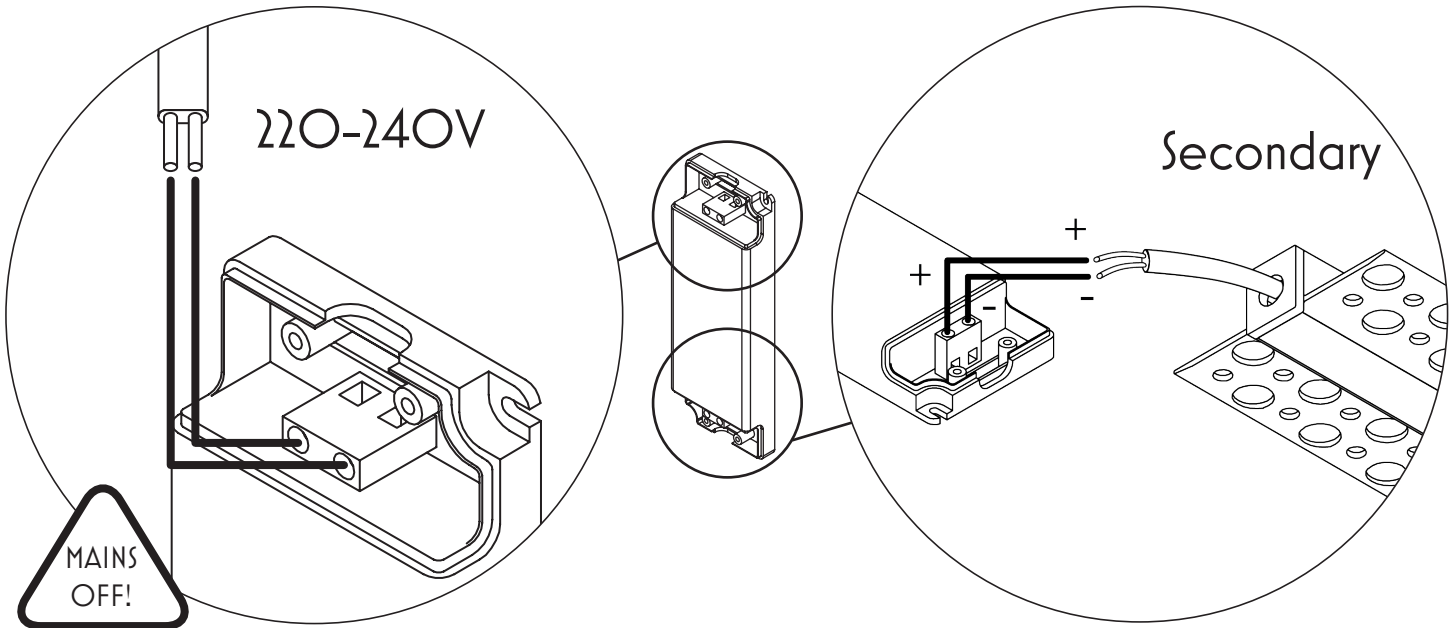
PAINT



Peel back adhesive layer on LED tape and align with profile

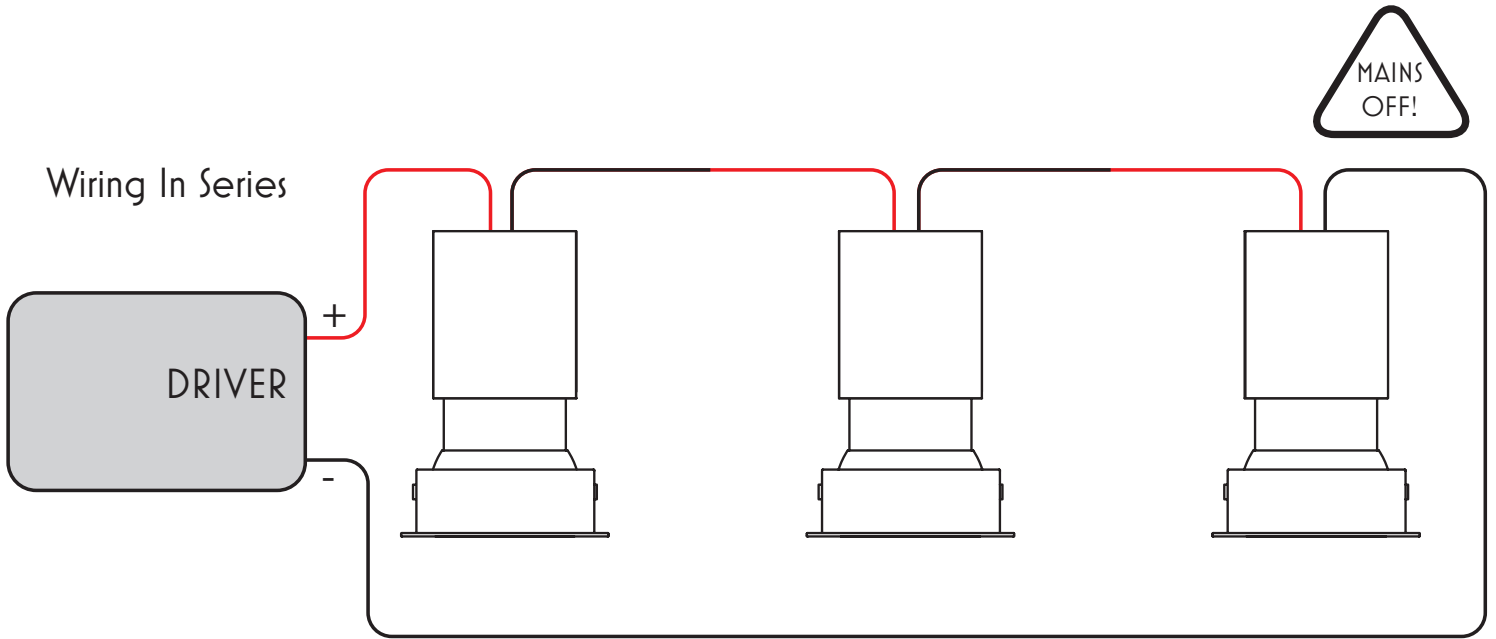


Stick the LED tape into profile and feed cable through the end cap



WIRING DIAGRAMS

Wiring In Series



Wiring In Parallel

